



**AB VALVES GmbH**

**Air Valve  
double chamber  
double orifice**





## Air valve, double chamber, double orifice

**Flange:** drilling according to DIN EN 1092-2 (DIN 2501)

**Size:** DN 100 - 200 mm

**Pressure rate:** PN 10 - 25 bars

### Valve specification:

Air valve with double chamber, double orifice and a built in shut-off valve. Double chamber Air valves are equipped with a shut-off valve in the middle, which should always be kept open during operation, and two chambers, one for venting large volume of air and one for venting small volume of air. With the presence of a built in shut-off valve the air valve can be serviced and cleaned during operation and under pressure, simply by closing the shut-off valve without having to close the line.

When the pipe is being filled up, the air trapped in the pipe is released through the valve, and when the line is shut-down the valve lets air into the pipe line to break vacuum formation.

**Automatic venting operation** of the air valve is caused by the rising force of the water and the differential pressure between the pipe and the atmosphere.

**Usually installed** at high points and in the pipe bend areas.

**Corrosion protection** by electrostatic epoxy powder coating.

### Ranging:

DN (mm)	PN (bar)	Permissible Working Pressure (bar)	Permissible Working Temperature	Test pressure according to ISO 5208 in bar Hydrostatic test	
				body	seat
200	10	10	60°C	15	11
100 - 200	16	16	60°C	24	17.6
100 - 200	25	25	60°C	37.5	27.5

Minimum permissible tightness pressure is 0.3 bars

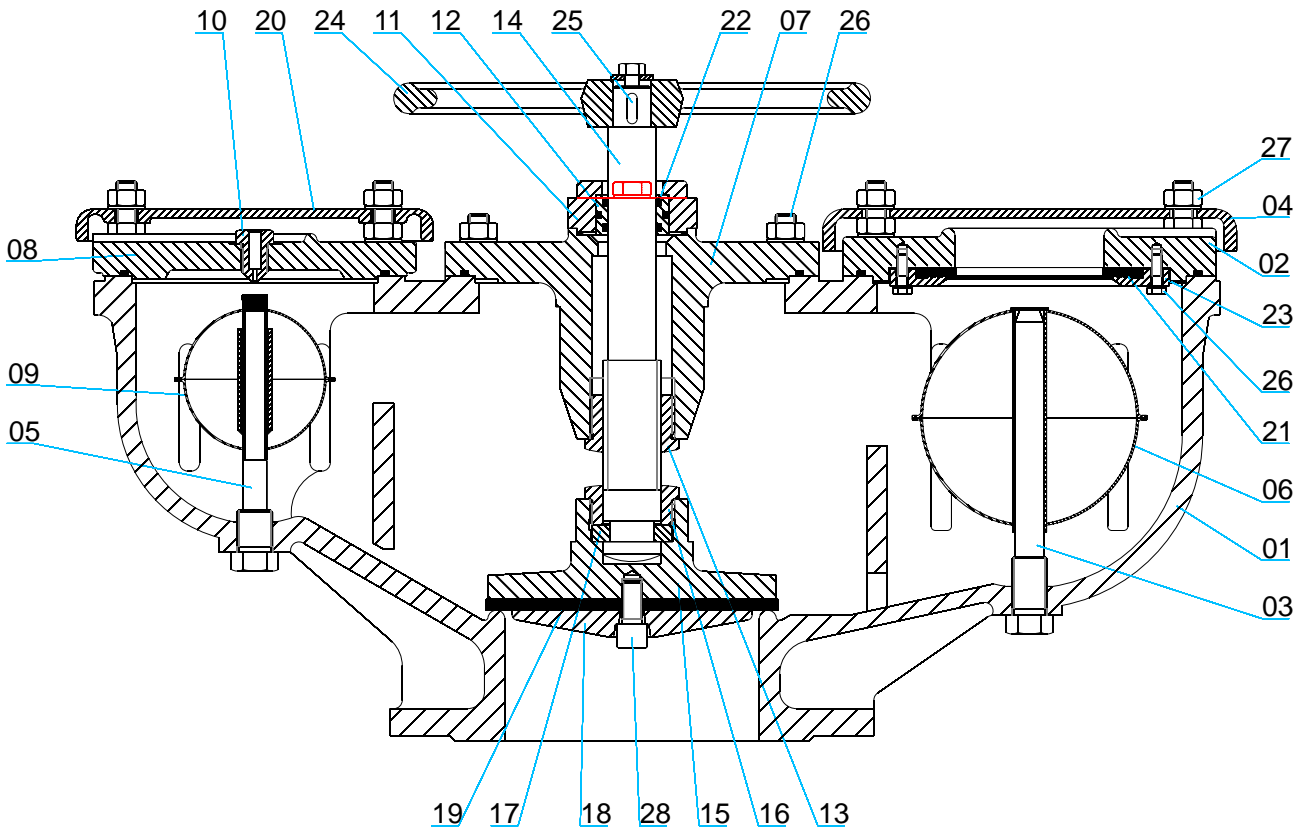
### Advantages:

- Reliable design
- Equipped with shut-off valve for services during operation
- Float made of stainless steel
- Electrostatic epoxy powder coating
- Screws and nuts of corrosion resistant steel





Parts list:

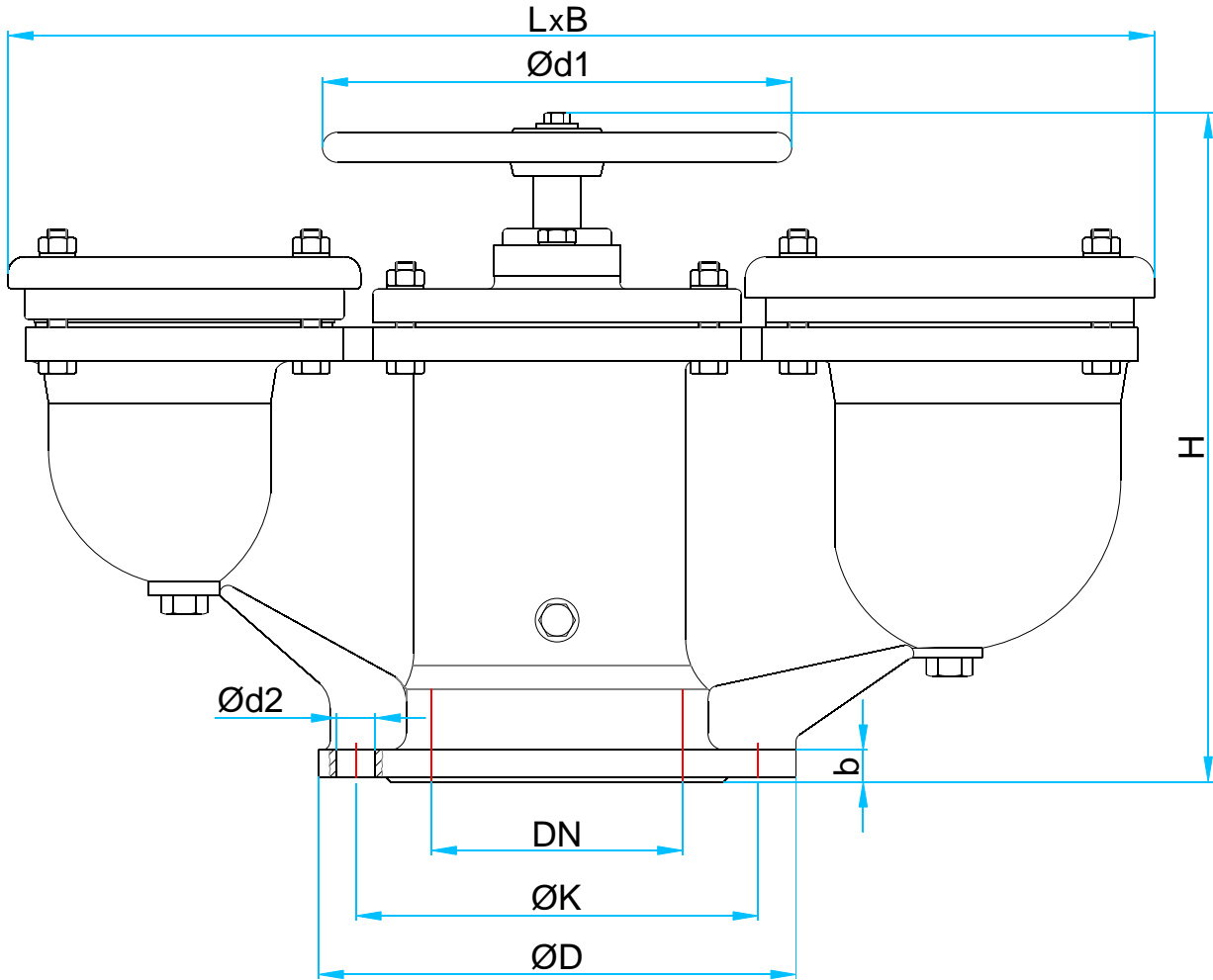


Part	Description	Material	Spare parts	Part	Description	Material	Spare parts
1	Body	EN-GJS-400-15 (1)		15	Retainer	EN-GJS-400-15 (1)	
2	Cover	EN-GJS-400-15 (1)		16	Retainer nut	BRASS	
3	Float driver	BRASS	●	17	Washer	BRASS	
4	Cover	GG25		18	Disc	GG25	●
5	Float driver	BRASS	●	19	Retainer ring	NBR	
6	Float	1.4301	●	20	Cover	GG25	
7	Cover	EN-GJS-400-15 (1)		21	Seal	NBR	●
8	Cover with nuzzle	EN-GJS-400-15 (1)		22	O ring	NBR	●
9	Float	1.4301	●	23	Retainer	EN-GJS-400-15 (1)	
10	Nuzzle	BRASS	●	24	Hand wheel	GG25	
11	Sealing Cover	GG25		25	Key	St 60	
12	Sealing bush	BRASS		26	Hexagonal Head Screw	A2	
13	Stem nut	BRASS		27	Nut	A2	
14	Stem	1.4301	●	28	Socket screw	A2	

(1) EN-GJS-500-7 can be product as requested.



Dimensions and weight:



• DIN EN 1092 - 2 (DIN 2501)

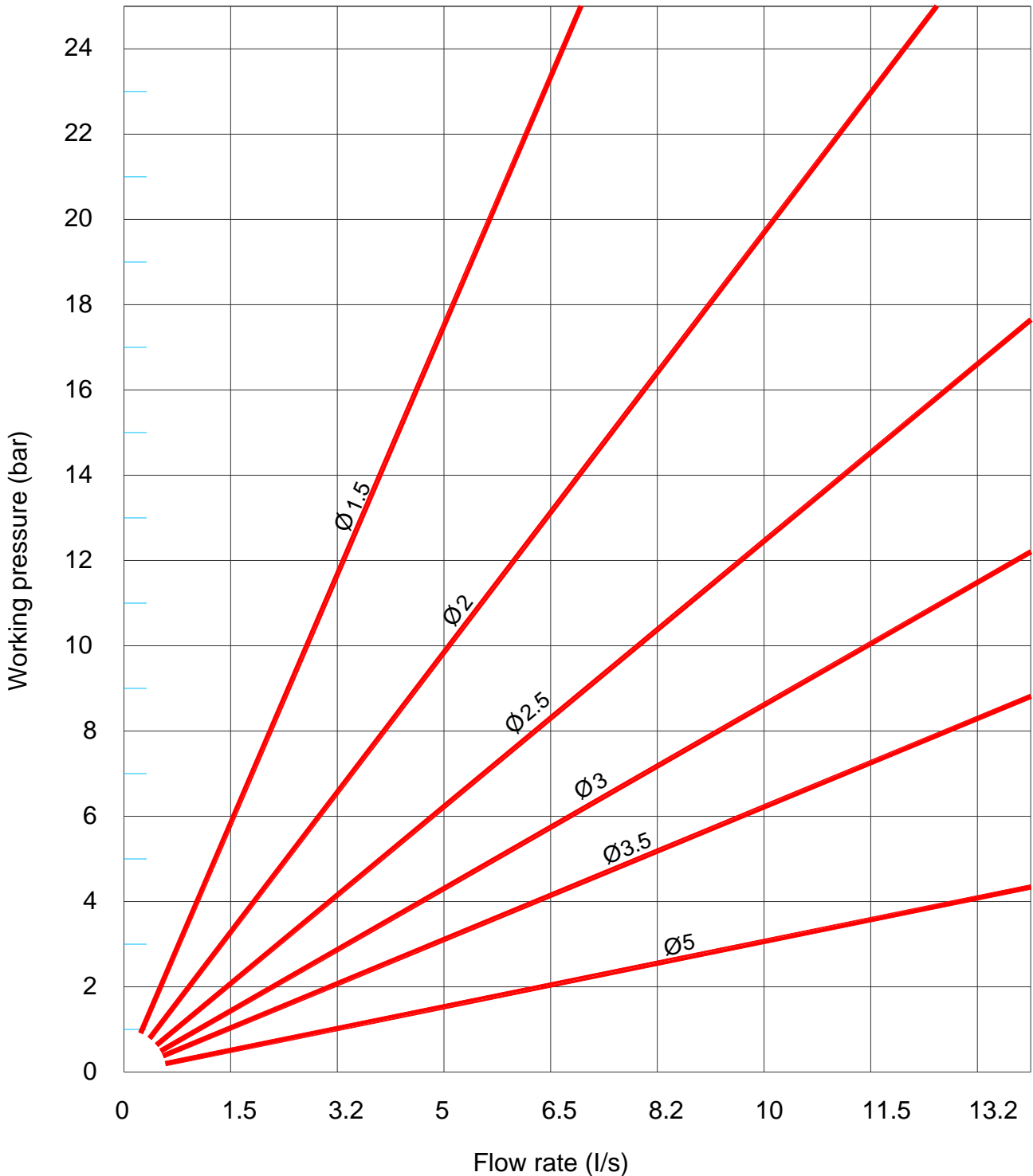
	DN	•OD	•OK	•Od2	•n	•b	•Od1	H	L x B	~W	~V
	mm	mm	mm	mm		mm	mm	mm	mm	Kg	dm <sup>3</sup>
PN 10	100	220	180	19	8	19	200	366	560 x 210	71	10
	150	285	240	23	8	20	280	400	684 x 244	103	15
	200	340	295	23	8	22	280	475	830 x 317	170	15
PN 16	100	220	180	19	8	19	200	366	560 x 210	71	10
	150	285	240	23	8	20	280	400	684 x 244	103	15
	200	340	295	23	12	22	280	475	830 x 317	170	15
PN 25	100	235	190	23	8	19	200	378	560 x 210	71	10
	150	300	250	28	8	20	280	400	684 x 244	103	15
	200	360	310	28	12	22	280	475	830 x 317	170	15



### Area of the large and small orifices

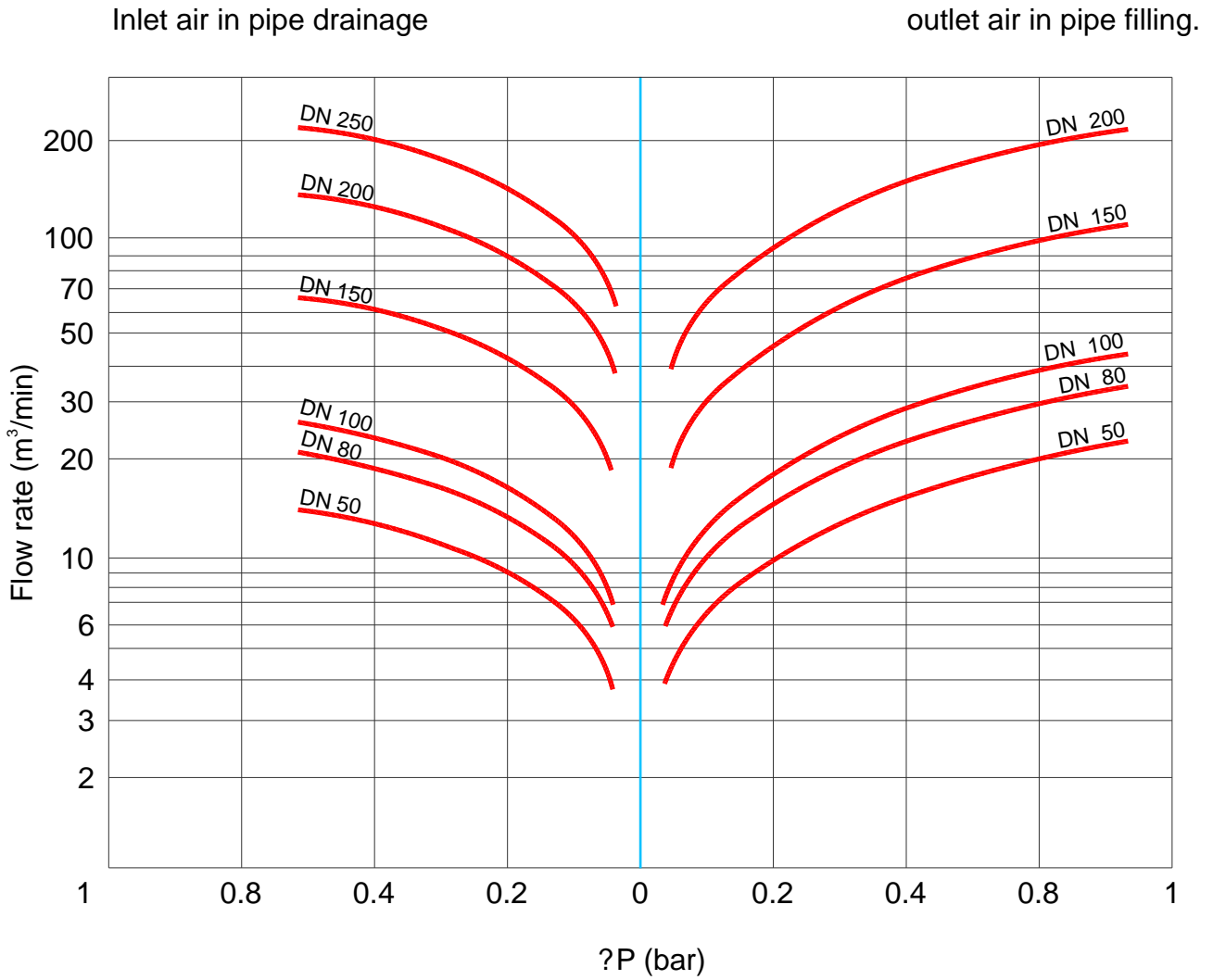
DN (mm)	100	150	200
Large orifice (mm <sup>2</sup> )	1925	6082	12272
Small orifice (mm <sup>2</sup> )	38.5	38.5	38.5

### Amounts of air release when the system is under working pressure





### Air venting from large chamber chart.





**AB VALVES GmbH**

Borsigallee 16  
D-60388 Frankfurt am Main  
Germany

Tel: +49(0)69 - 941 758-0  
Fax: +49(0)69 - 941 758-33  
info@ab-valves.com  
www.ab-valves.com