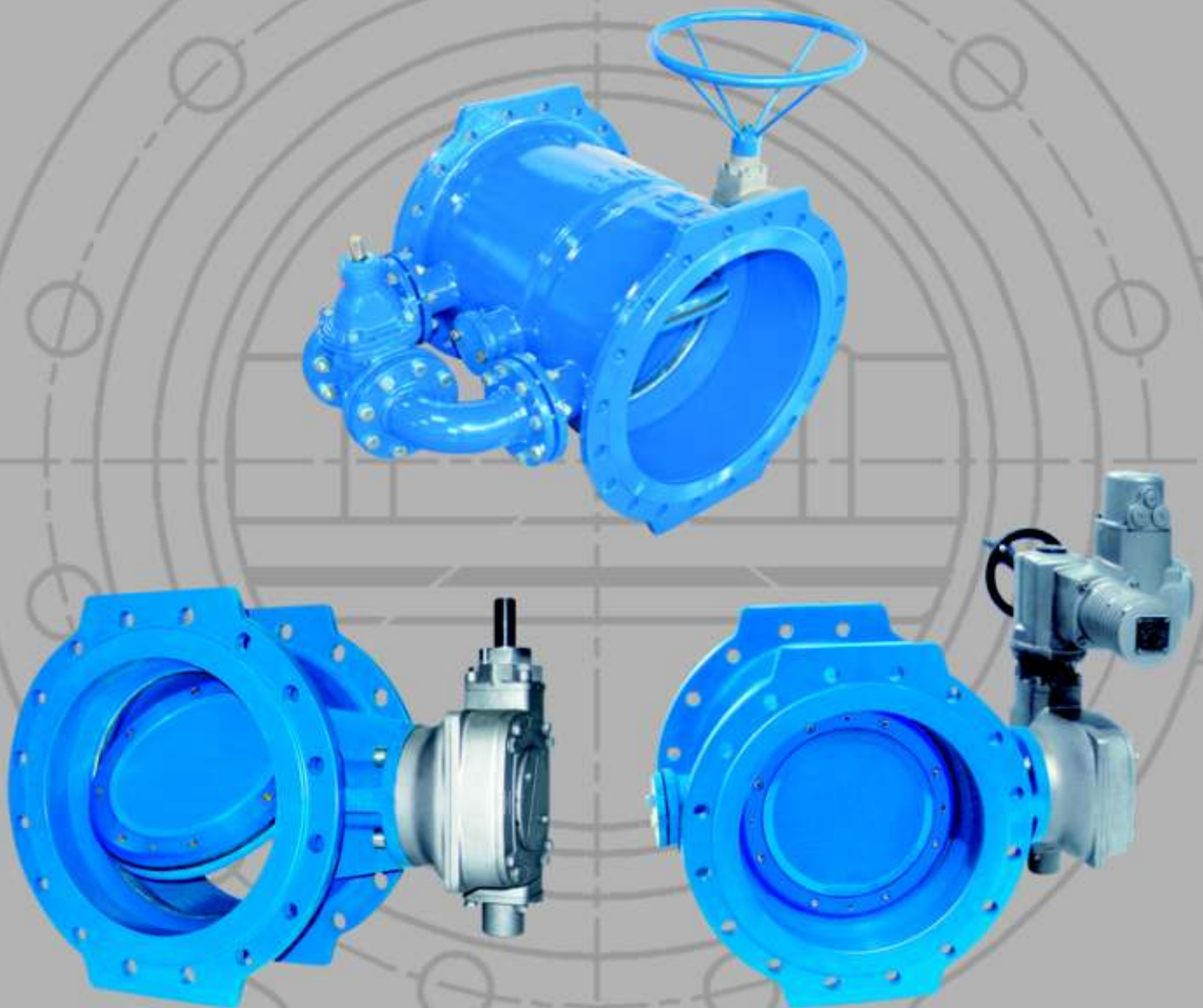




AB VALVES GmbH
Manufacturer of Industrial Valves
and Relevant Equipments

Butterfly Valves Flange Type (BVF)





Butterfly Valves Flange Type (BVF4)

Size: DN 100-3000 mm

Pressure: PN 6-40 bar

Face to face: DIN EN 558-1 series 14/ISO 5752-14 (DIN3202-F4)

Flanges: DIN EN 1092-2 (DIN2501)

Product Features:

AB flanged type butterfly valve sizes up to 1000 mm are made double eccentric and valves with larger size are eccentric .disc tilting mechanism fits sealing ring which is rolled into a solid disc seat in a safe manner. Adjustable and removable clamping ring is provided for easy readjustment or replacement of sealing ring, (for large sizes, without dismantling the valve) and ensures zero leakage in both flow directions. The result of perfect design for profile and shape of disk is low head loss.

Operating actuator:

- For hand actuation the valves are equipped with a worm gearbox or nut type gearbox which is fully maintenance - free and water tight (enclosure IP67).
- AB uses Auma electrical actuators for the valves.
(More technical information available on request).

Application:

Butterfly valves are used for closing & opening flows in pipe lines. This valve can be used in water supplies, dams, water treatment, pumping stations, pipe lines, industries, power plants, and irrigation. Fluid temperature up to 70°C for NBR and up to 120°C for EPDM sealing profile.

Corrosion protection:

Body and disc are fully coated with blue electrostatic powder coating with minimum 250 micron thickness.

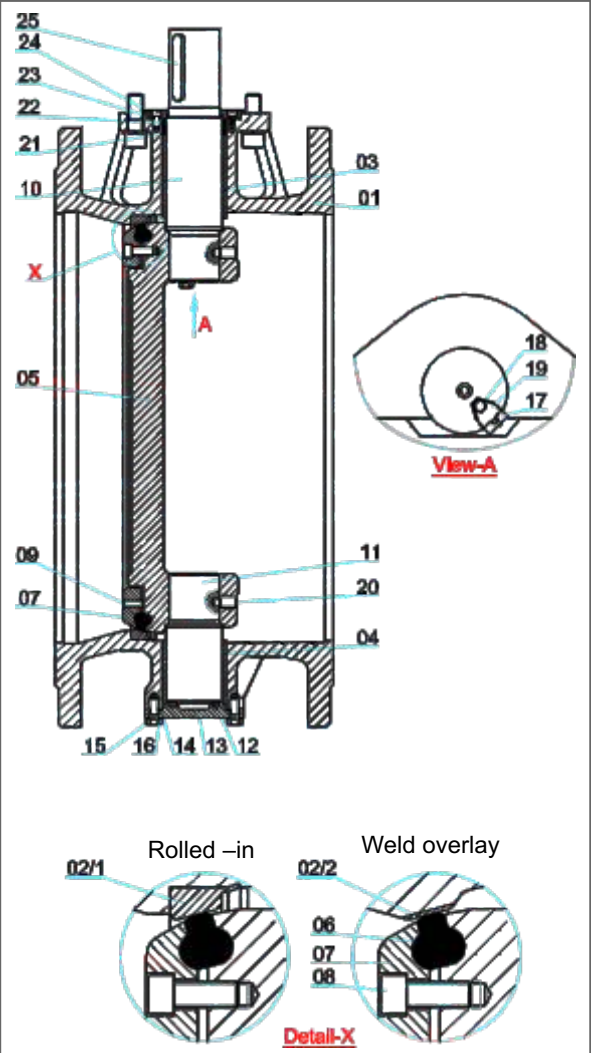
Hydrostatic test Pressure (bar) according to DIN EN 12266-1		
Nominal Pressure PN (bar)	Test Pressure	
	Body	Seat
6	12	6.6
10	17	11
16	25	17.6
25	37.5	27.5





Part List:

Part	Description	Material	Spare parts	
			1	2
1	Body	EN-GJS-400-15 (3)		
2/1	Seat (Rolled-in solid body)	1.4301		
2/2	Seat (Weld overlay)	E 18 8 Mn R 73X		
3	Bearing bush (long)	Al.Bz		
4	Bearing bush (short)	Al.Bz		
5	Disc	EN-GJS-400-15 (3)		
6	Profile sealing ring	EPDM / NBR	•	•
7	Clamping ring	EN-GJS-400-15 (3)	•	
8	Socket screw	A2	•	
9	Counter socket screw	A2	•	
10	Shaft, Driven	1.4021		
11	Shaft, Free	1.4021		
12	Thrust spacer	Brass		
13	Bearing cover	EN-GJS-400-15 (3)		
14	O- ring	EPDM / NBR	•	•
15	Hexagonal bolt	A2 / Gal. St.	•	
16	Washer	A2 / Gal. St.		
17	Key	1.4301		
18	Hexagonal bolt	A2	•	
19	Key's safety plate	1.4571		
20	Counter socket screw	A2	•	
21	Backup ring	PE	•	
22	O- ring	EPDM / NBR	•	•
23	Plate	EN-GJS-400-15 (3)		
24	Socket screw	A2 / Gal. St.	•	
25	Key	St-60		



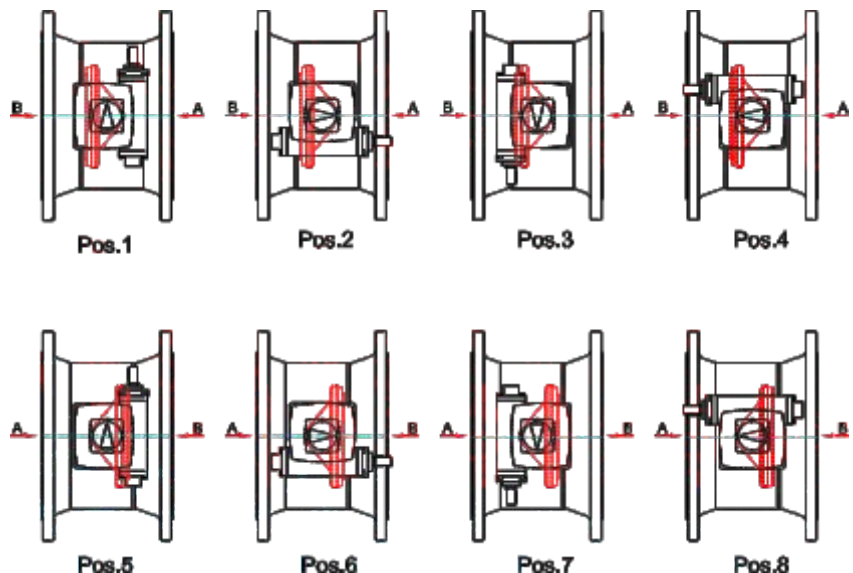
(1) Recommended spare parts.
 (2) Parts are liable to wear.
 (3) EN-GJS-500-7 can be product as requested.
 Note: Other materials available on request.

Gearbox arrangements:

AB Butterfly Valves can be supplied in 8 different gearbox arrangements, as shown in positions 1 to 8.

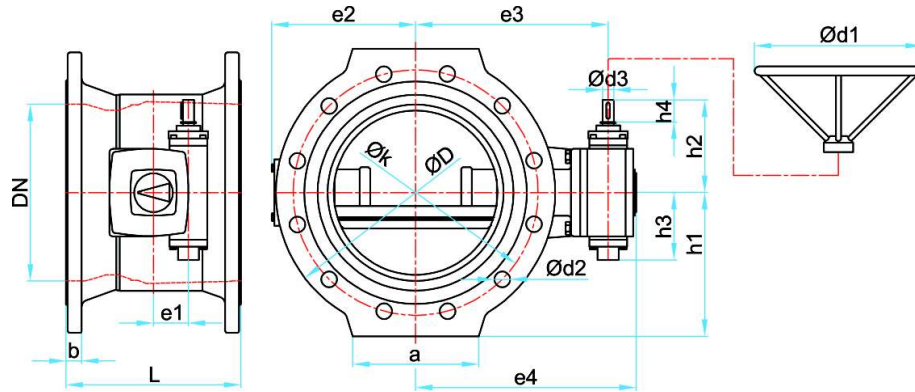
When ordering, please select the position number that correctly suits your requirement.

Note: (A) is High pressure side (this is recommended for better water tight, particular for DN 1000 and above and pressure 16 bar and more) and (B) is Low pressure side when the valve is closed.



Dimension:

Butterfly valve with hand wheel actuator (BVF4-----HW.AU)



DIN EN 593 (DIN 3354)

•DIN EN 1092-2 (DIN 2501)

•DIN EN 558-1 series 14 (DIN 3202-F4)

	DN	•L	•ØD	•b	•ØK	•Ød2	•n	a	e1	e2	e3	e4	h1	h2	h3	h4	Ød1	Ød3	Turns for 90	Wgt. kg
PN 6	800	470	975	34	920	31	24	450	125	543	615	685	493	255	192	42	400	30	52	780
	1000	550	1175	36	1120	31	28	600	200	700	752	832	633	380	290	43	400	20	110.5	1206
	1200	630	1405	40	1340	34	32	700	200	860	910	1006	688	485	370	43	400	20	108.5	1870
	1400	710	1630	44	1560	37	36	800	300	976	1040	1136	850	485	370	43	400	20	108.5	2447
	1600	790	1830	48	1760	37	40	860	250	1076	1160	1280	971	540	550	60	400	30	212	3508
	1800	870	2045	50	1970	41	44	1000	250	1160	1264	1383	1033	585	402	60	400	30	212	4470
	2000	950	2265	54	2180	44	48	1100	315	1281	1400	1640	1145	725	550	43	400	20	424	6050
	2200	1030	2475	42	2390	44	52	1200	400	1415	1565	1805	1248	826	785	63	500	30	432	8420
PN 10	100	190	220	19	180	19	8	100	50	110	170	219	110	132	96	31.5	250	16	12.75	24.2
	125	200	250	19	210	19	8	125	50	125	183	232	128	132	96	31.5	250	16	12.75	28
	150	210	285	19	240	23	8	150	50	150	215	253	142	132	96	31.5	250	16	12.75	34.4
	200	230	340	20	295	23	8	160	50	178	234	274	168	132	96	31.5	250	16	12.75	48
	250	250	395	22	350	23	12	180	50	213	270	310	205	132	96	31.5	250	16	12.75	69
	300	270	445	24.5	400	23	12	200	63	254	324	373	232	165	128	42	250	20	12.75	93
	350	290	505	24.5	460	23	16	224	63	280	348	397	263	165	128	42	250	20	12.75	112
	400	310	565	24.5	515	28	16	250	80	303	387	433	288	170	132	42	400	20	13.25	145
	450	330	615	25.5	565	28	20	275	100	337	435	502	313	299	187	60	400	30	13	208.2
	500	350	670	26.5	620	28	20	291	100	362	470	537	345	299	187	60	500	30	13	241.7
	600	390	780	30	725	31	20	330	100	417	516	583	398	299	187	60	500	30	13	345
	700	430	895	32.5	840	31	24	400	125	475	555	625	458	304	192	42	500	20	52	504.3
	800	470	1015	35	950	34	24	450	125	543	615	685	513	304	192	42	400	20	52	735
	900	510	1115	37.5	1050	34	28	550	160	619	682	763	568	380	290	43	400	20	110.5	816
	1000	550	1230	40	1160	37	28	600	200	700	767	863	633	485	370	43	500	20	108.5	1260
	1100	590	1340	42.5	1270	37	32	650	200	810	875	971	688	510	370	43	500	20	108.5	1600
1200	630	1455	45	1380	41	32	700	200	860	910	1006	750	485	370	43	400	20	108.5	1880	
1400	710	1675	46	1590	44	36	800	250	976	1080	1200	850	540	402	60	400	30	103	2600	
1600	790	1915	49	1820	50	40	900	315	1076	1180	1340	965	765	550	60	400	30	212	3830	
1800	870	2115	52	2020	50	44	1000	315	1187	1300	1540	1068	725	550	43	400	20	424	5600	
2000	950	2325	55	2230	50	48	1100	400	1315	1465	1705	1175	825	785	63	500	30	432	6760	

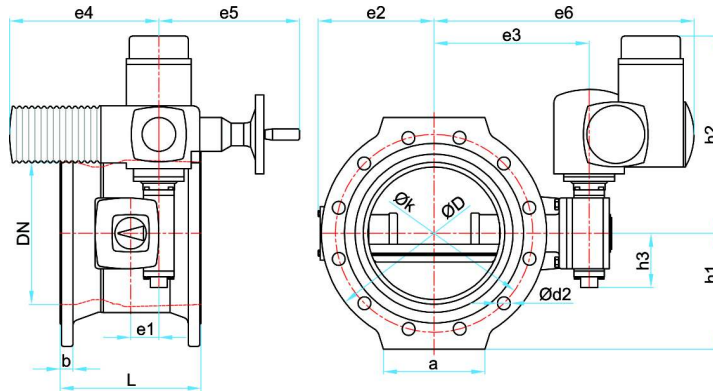


	DN	•L	•ØD	•b	•ØK	•Ød2	•n	a	e1	e2	e3	e4	h1	h2	h3	h4	Ød1	Ød3	Turns	Wgt.
	mm	mm	mm	mm	mm	mm		mm	mm	mm	mm	mm	mm	mm	mm	mm	mm	mm	for 90	kg
PN 16	100	190	220	19	180	19	8	100	50	110	170	219	110	132	96	31.5	250	16	12.75	24.2
	125	200	250	19	210	19	8	125	50	125	183	232	128	132	96	31.5	250	16	12.75	28
	150	210	285	19	240	23	8	150	50	150	215	255	144	132	96	31.5	250	16	12.75	34.4
	200	230	340	20	295	23	12	160	50	178	232	274	170	132	96	31.5	250	16	12.75	49
	250	250	405	22	355	28	12	180	50	213	270	310	205	132	96	31.5	250	16	12.75	70
	300	270	455	24.5	410	28	12	200	63	254	315	364	232	165	128	42	250	20	12.75	93.3
	350	290	520	26.5	470	28	16	224	80	280	360	406	270	170	133	42	400	20	13.25	130
	400	310	580	28	525	31	16	250	80	316	433	433	297	170	133	42	400	20	13.25	183.2
	450	330	640	30	585	31	20	275	100	337	435	487	325	299	187	60	400	30	13	235
	500	350	715	31.5	650	34	20	300	100	362	470	522	363	299	187	60	500	30	13	286.3
	600	390	840	36	770	37	20	330	125	420	516	586	425	304	192	42	400	20	52	405.8
	700	430	910	39.5	840	37	24	400	125	493	565	645	458	255	192	43	500	20	52	683
	800	470	1025	43	950	41	24	450	160	573	635	715	518	380	290	43	400	20	110.5	771
	900	510	1125	46.5	1050	41	28	550	200	656	705	801	568	485	370	43	400	20	108.5	857
	1000	550	1255	50	1170	44	28	600	200	700	773	868	633	485	370	43	500	20	108.5	1318
	1100	590	1355	53.5	1270	44	32	650	200	810	875	971	688	510	370	43	500	20	216	1682
	1200	630	1485	57	1390	50	32	700	250	861	965	1084	750	540	402	60	400	20	103	2330
	1400	710	1685	60	1590	50	36	800	315	975	1097	1257	850	726	550	63	400	30	212	3000
1600	790	1930	65	1820	57	40	900	315	1088	1180	1340	975	725	550	43	400	20	424	4022	
1800	870	2130	70	2020	57	44	1000	400	1215	1365	1605	1075	826	785	63	500	30	432	5920	
2000	950	2345	75	2230	62	48	1100	400	1335	1490	1725	1183	826	785	63	500	30	432	7050	
PN 25	100	190	235	19	190	23	8	100	50	118	212	266	118	132	96	31.5	250	16	12.75	28
	125	200	270	19	220	28	8	125	50	135	208	262	138	132	96	31.5	250	16	12.75	30
	150	210	300	20	250	28	8	150	50	153	215	255	150	132	96	31.5	250	16	12.75	37.3
	200	230	360	22	310	28	12	160	63	180	249	298	185	165	128	42	250	20	12.75	51
	250	250	425	24.5	370	31	12	180	63	213	274	323	215	165	128	42	250	20	12.75	77
	300	270	485	27.5	430	31	16	200	80	263	312	358	247	170	133	42	400	20	13.25	105
	350	290	555	30	490	34	16	225	80	308	355	407	282	299	187	60	400	30	13	136
	400	310	620	32	550	37	16	250	100	393	437	487	318	299	187	60	400	30	13	210
	450	330	670	34.5	600	37	20	275	125	418	460	513	338	304	192	42	400	20	52	286
	500	350	730	36.5	660	37	20	300	125	425	466	536	370	304	192	42	400	20	52	363
	600	390	845	42	770	41	20	330	160	490	552	632	428	380	290	43	500	20	110.5	578
	700	430	960	46.5	875	44	24	400	160	566	615	711	493	485	370	43	500	20	108.5	717
	800	470	1085	51	990	50	24	450	200	616	680	776	550	485	370	43	500	20	108.5	816
	900	510	1185	55.5	1090	50	28	550	250	710	812	931	597	540	402	60	400	30	103	1387
	1000	550	1320	60	1210	57	28	600	250	760	865	984	670	540	402	60	400	30	103	1720
	1100	590	1420	64.5	1310	57	32	650	250	810	915	1034	715	585	402	60	400	30	212	1766
	1200	630	1530	69	1420	57	32	700	315	860	982	1142	765	726	550	63	400	30	212	2448
	1400	710	1755	74	1640	62	36	800	315	988	1100	1261	890	726	550	63	400	30	212	3150
1600	790	1975	81	1860	62	40	900	400	1088	1210	1405	998	826	765	63	400	30	432	4065	
1800	870	2195	88	2070	70	44	1000	400	1235	1385	1625	1108	826	785	63	500	30	432	5980	
2000	950	2425	95	2300	70	48	1100	500	1390	1585	1830	1223	1090	880	73	500	40	832	7110	

PN 40 and valve sizes larger than 2000 mm on request.

Dimensions:

Butterfly valve with electrical actuator (BVF4-----EL.AU)



DIN EN 593 (DIN 3354)

• DIN EN 1092-2 (DIN 2501)

• DIN EN 558-1 series 14 (DIN 3202-F4)

	DN	•L	•ØD	•b	•ØK	•Ød2	•n	a	e1	e2	e3	e4	e5	e6	h1	h2	h3	Turns for 90	Wgt. kg
PN 6	800	470	975	34	920	31	24	450	125	543	615	282	254	862	513	539	192	52	810
	1000	550	1175	36	1120	31	28	600	160	700	752	265	249	990	633	547	290	110.5	1226
	1200	630	1405	40	1340	34	32	700	200	860	910	282	254	1157	688	615	270	108.5	1893
	1400	710	1630	44	1560	37	36	800	200	976	1040	282	254	1287	850	615	270	108.5	2470
	1600	790	1830	48	1760	37	40	860	250	1076	1165	282	254	1412	971	675	550	212	3531
	1800	870	2045	50	1970	41	44	1000	250	1260	1187	282	254	1547	1033	1000	402	212	4500
	2000	950	2265	54	2180	44	48	1100	315	1281	1400	282	254	1647	1145	1000	550	424	6080
	2200	1030	2475	42	2390	44	52	1200	400	1415	1570	384	329	1750	1248	1000	785	432	8455
PN 10	100	190	220	19	180	19	8	100	50	110	170	265	249	356	109	561	96	12.75	44.2
	125	200	250	19	210	19	8	125	50	125	183	265	249	420	128	561	96	12.75	48
	150	210	285	19	240	23	8	150	50	150	215	265	249	401	142	367	96	12.75	54.4
	200	230	340	20	295	23	8	160	50	178	234	265	249	420	170	373	96	12.75	68
	250	250	395	22	350	23	12	180	50	213	270	265	249	451	205	373	96	12.75	89
	300	270	445	24.5	400	23	12	200	63	254	324	265	249	561	232	398	128	12.75	113
	350	290	505	24.5	460	23	16	224	63	280	348	265	249	585	263	398	128	12.75	132
	400	310	565	24.5	515	28	16	250	80	303	387	265	254	670	288	403	132	13.25	165
	450	330	615	25.5	565	28	20	275	100	337	435	265	249	672	313	405	187	52	228.2
	500	350	670	26.5	620	28	20	291	100	362	470	265	249	707	345	532	187	52	261.7
	600	390	780	30	725	31	20	330	100	417	516	282	254	753	398	532	187	52	365
	700	430	895	32.5	840	31	24	400	125	475	555	282	254	802	458	539	192	52	527.3
	800	470	1015	35	950	34	24	450	125	543	615	282	254	862	513	539	192	52	758
	900	510	1115	37.5	1050	34	28	550	160	619	682	282	254	930	568	550	290	110.5	839
	1000	550	1230	40	1160	37	28	600	200	700	767	282	254	1014	633	615	370	108.5	1278
	1100	590	1340	42.5	1270	37	32	650	200	810	875	282	254	1122	688	615	370	216	1623
	1200	630	1455	45	1380	41	32	700	200	860	910	282	254	1157	750	615	370	216	1903
	1400	710	1675	46	1590	44	36	800	250	976	1080	384	329	1365	850	715	402	212	2643
1600	790	1915	49	1820	50	40	900	315	1076	1180	282	254	1427	965	1000	550	424	3878	
1800	870	2115	52	2020	50	44	1000	315	1187	1300	282	329	1600	1068	1000	550	424	6032	
2000	950	2325	55	2230	50	48	1100	400	1315	1465	384	329	1700	1175	1081	785	432	6800	



	DN	•L	•ØD	•b	•ØK	•Ød2	•n	a	e1	e2	e3	e4	e5	e6	h1	h2	h3	Turns	Wgt.
	mm	mm	mm	mm	mm	mm		mm	mm	mm	mm	mm	mm	mm	mm	mm	mm	for 90	kg
PN 16	100	190	220	19	180	19	8	100	80	110	170	265	249	356	109	561	96	12.75	44.2
	125	200	250	19	210	19	8	125	80	125	183	265	249	370	128	561	96	12.75	48
	150	210	285	19	240	23	8	150	50	150	215	265	249	401	142	367	96	12.75	54.4
	200	230	340	20	295	23	12	160	50	178	232	265	249	470	170	373	96	12.75	69
	250	250	405	22	355	28	12	180	50	213	270	265	249	507	205	373	96	12.75	90
	300	270	450	24.5	410	28	12	200	63	254	315	265	249	552	232	398	128	12.75	116.3
	350	290	520	26.5	470	28	16	224	80	280	360	282	254	607	270	405	133	13.25	150
	400	310	580	28	525	31	16	250	80	316	433	282	254	680	297	405	133	13.25	203.2
	450	330	640	30	585	31	20	275	100	337	435	265	249	672	325	532	187	52	258
	500	350	715	31.5	650	34	20	300	100	362	470	265	249	707	363	532	187	52	306.3
	600	390	840	36	770	37	20	330	125	420	516	282	254	763	425	539	192	52	428.8
	700	430	910	39.5	840	37	24	400	160	493	565	265	254	802	460	547	290	52	703
	800	470	1025	43	950	41	24	450	160	573	635	282	254	882	518	550	290	110.5	794
	900	510	1125	46.5	1050	41	28	550	200	656	705	282	254	952	568	615	370	216	880
	1000	550	1255	50	1170	44	28	600	200	700	773	282	254	1020	633	615	370	216	1341
	1100	590	1355	53.5	1270	44	32	650	200	810	875	282	254	1122	688	615	370	216	1705
	1200	630	1485	57	1390	50	32	700	250	861	965	384	329	1250	750	715	402	212	2378
	1400	710	1685	60	1590	50	36	800	315	975	1097	282	254	1344	850	960	550	424	3023
1600	790	1930	65	1820	57	40	900	315	1088	1180	384	329	1465	975	1000	550	424	4070	
1800	870	2130	70	2020	57	44	1000	400	1215	1365	384	336	1650	1075	1081	785	432	5990	
2000	950	2345	75	2230	62	48	1100	400	1335	1490	384	336	1750	1183	1081	785	432	7100	
PN 25	100	190	235	19	190	23	8	100	70	118	212	265	249	449	118	482	145	12.75	48
	125	200	270	19	220	28	8	125	70	135	208	265	249	445	138	482	145	12.75	50
	150	210	300	20	250	28	8	150	50	153	215	265	249	452	150	373	96	12.75	57.3
	200	230	360	22	310	28	12	160	63	180	249	265	249	486	185	398	128	12.75	71
	250	250	425	24.5	370	31	12	180	63	213	274	265	249	511	215	398	128	12.75	97
	300	270	485	27.5	430	31	16	200	80	263	312	282	254	560	247	405	133	13.25	128
	350	290	555	30	490	34	16	225	100	308	355	265	249	592	282	532	187	13.25	156
	400	310	620	32	550	37	16	250	100	393	437	282	254	684	318	534	187	52	233
	450	330	670	34.5	600	37	20	275	125	418	460	282	254	707	338	539	192	52	309
	500	350	730	36.5	660	37	20	300	125	425	466	282	254	713	370	539	192	52	386
	600	390	845	42	770	41	20	330	160	490	552	265	249	790	428	547	290	110.5	598
	700	430	960	46.5	875	44	24	400	200	566	615	282	254	862	493	615	370	108.5	740
	800	470	1085	51	990	50	24	450	200	616	680	282	254	927	550	615	370	216	839
	900	510	1185	55.6	1090	50	28	550	250	710	812	282	254	1059	597	675	402	212	1410
	1000	550	1320	60	1210	57	28	600	250	760	865	384	329	1150	670	715	402	212	1768
	1100	590	1420	64.5	1310	57	32	650	250	810	915	384	329	1200	715	715	402	212	1814
	1200	630	1530	69	1420	57	32	700	315	860	982	384	329	1230	765	960	550	424	2471
	1400	710	1755	74	1640	62	36	800	315	988	1100	384	329	1385	890	1000	550	424	3198
1600	790	1975	81	1860	62	40	900	400	1088	1210	384	336	1495	998	1081	765	432	4115	
1800	870	2195	88	2070	70	44	1000	400	1235	1385	384	336	1670	1075	1081	765	432	6030	
2000	950	2425	95	2300	70	48	1100	500	1390	1585	384	329	1800	1183	1081	880	832	7160	

PN 40 and valve sizes larger than 2000 mm on request.



Butterfly Valves with bypass system (BVF5)

Size: DN 500 - 1200 mm

Pressure: PN 6 - 40 bar

Face to Face: DIN EN 558-1 series 15 (DIN3202-F5)

Product Features:

This valve is equipped with a bypass system and an on/off valve. bypass system is used for connecting both side of the disk for special applications . The usual diameter of bypass valve is approximately 1/10 of nominal diameter of main valve . For installation of bypass the face to face of the main valve is increased.

Application:

this system (bypass) is used for making equal pressure in both side of the disc so the main valve can be operated with minimum force for opening and closing . this system can be used for filling up piping systems. As long as the pipeline system is protected from water Hammer phenomenon and the pipeline will fill up gradually and at the same time air will be ejected from pipeline (through air valves) without any disturbance and minimum sound.

Operation:

Opening the valve:

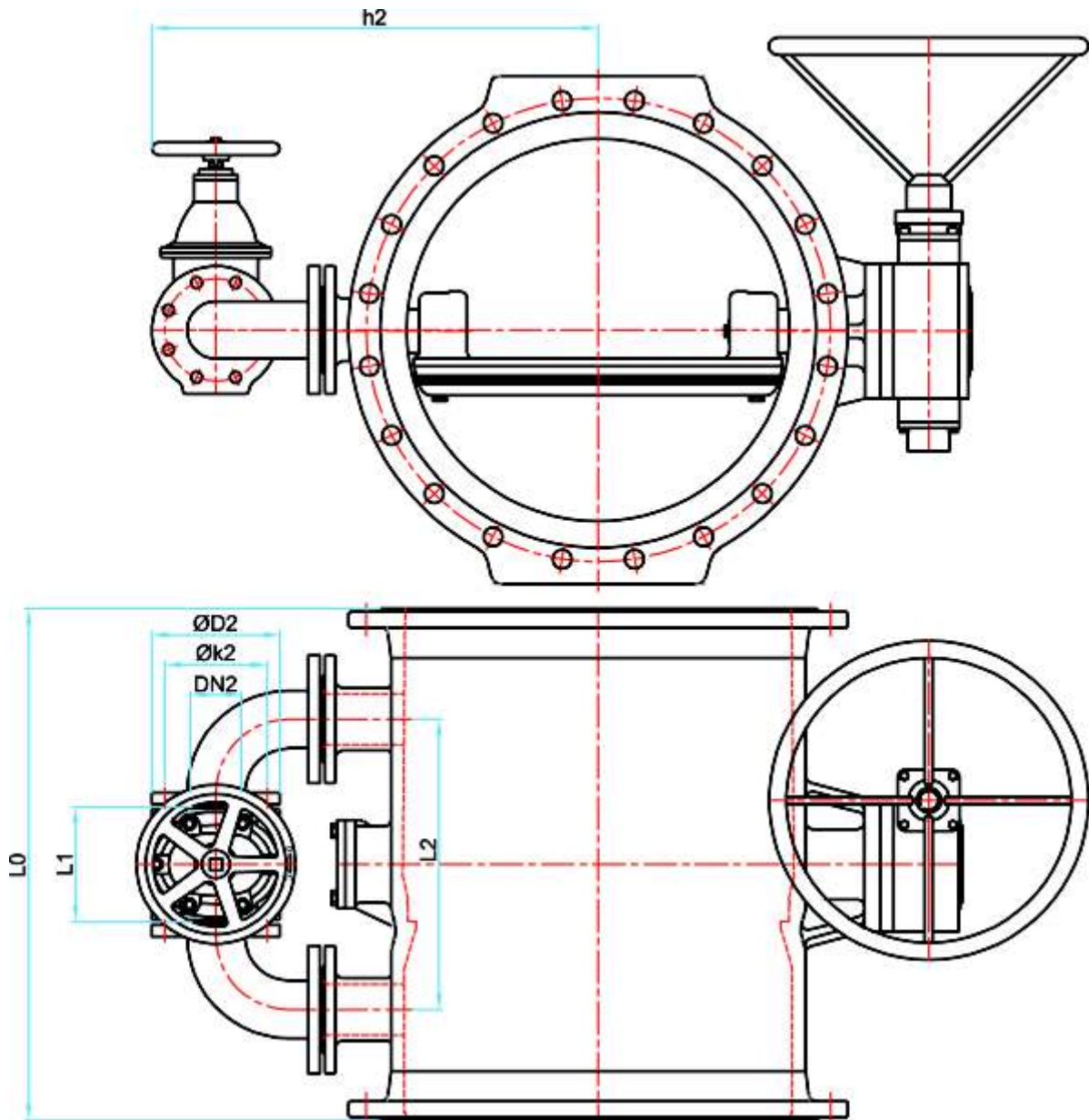
to start operation when the main valve and bypass valve are in closed position first open the bypass valve, and after opening the by pass valve the main valve will be opened. For transferring the liquid during operation time, both valves (main and bypass) should be open.

Closing the valve:

When system is not in use or the system has to be shut down, first main valve should be closed and then by pass valve will be closed.If the above procedure takes place, difficulties with air and water hummer will be reduced enormously.



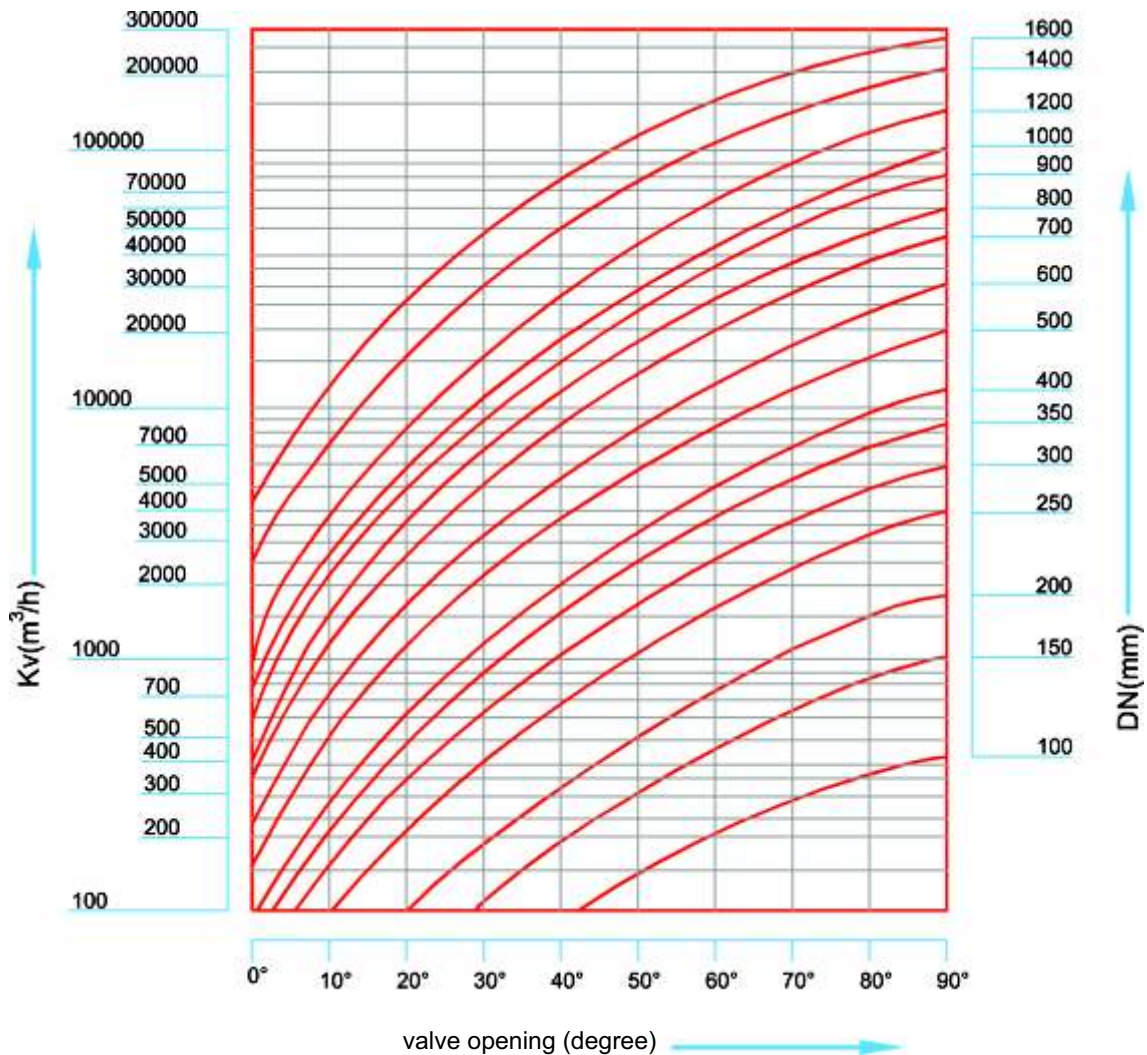
Dimensions



DN1	L0	DN2	L1	ØD2	ØK2	L2	h2
500	700	80	180	200	160	454	650
600	800	80	180	200	160	454	700
700	900	80	180	200	160	540	735
800	1000	80	180	200	160	700	800
900	1100	80	180	200	160	640	900
1000	1200	80	180	200	160	800	1000
1200	1400	100	190	220	180	900	1200



Pressure Δp (bar)



- Q = Rate of flow (m³ / h)
- Kv = flow coefficient (m³ / h)
- ΔP = Head loss (bar)
- ΔH = Head loss (m)
- V = Average pipe velocity (m/s)
- g = Gravitational constant (9.81 m/s²)
- ζ = Resistance coefficient.

$$Q = Kv \sqrt{\Delta p}$$

$$\Delta H = \zeta \frac{V^2}{2g}$$

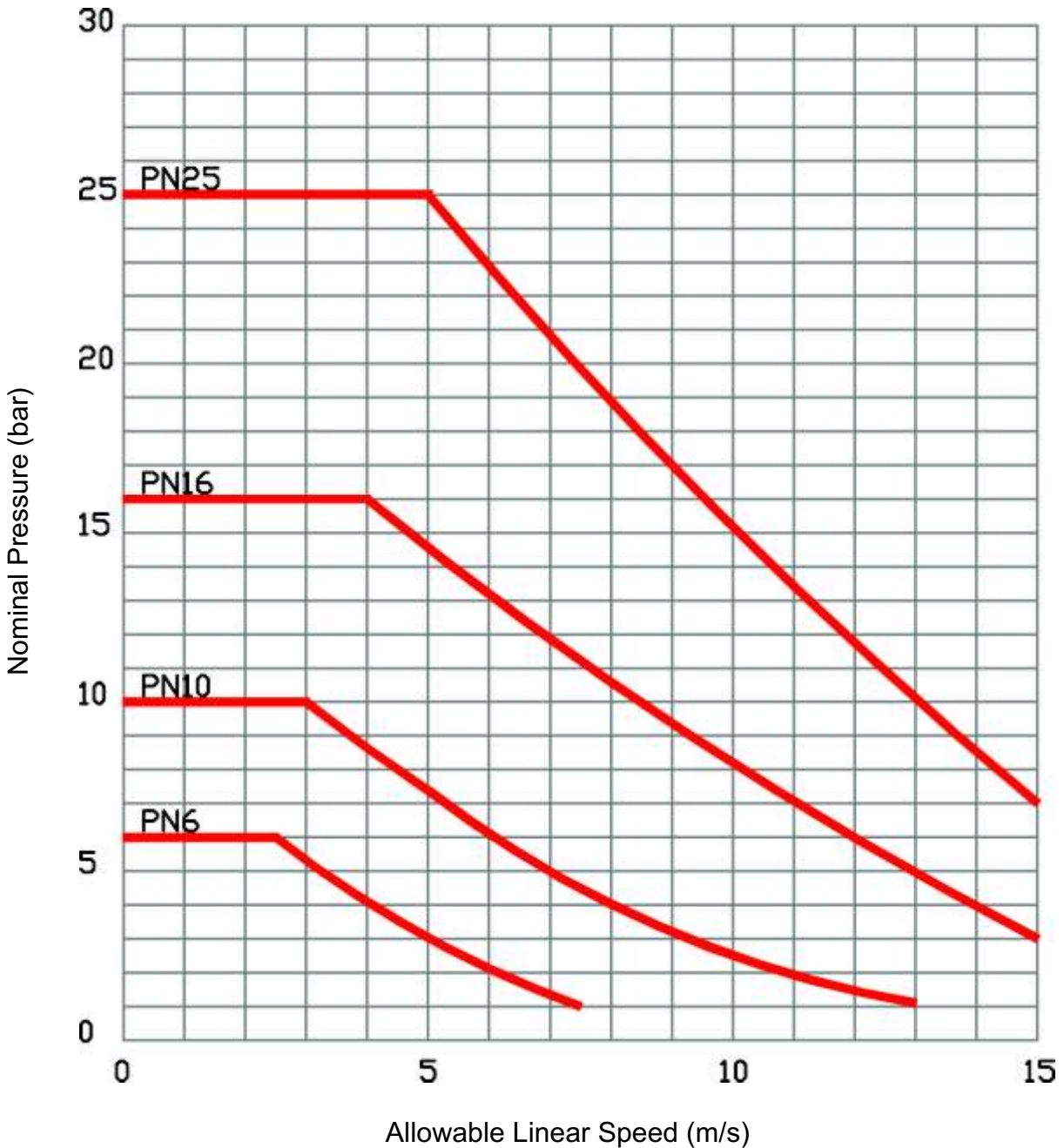
Kv value is the rate of water flow in cubic meters per hour in temperature from 5 to 30°C and pressure drop of 1 bar when the valve is in completely open position.

Coefficient of pressure drop (ζ)

DN	100	150	200	250	300	350	400	500	600	700	800	900	1000	1200	1400	1600
PN 10	-	-	0.73	0.4	0.4	0.3	0.26	0.23	0.21	0.17	0.17	0.15	0.14	0.14	0.13	0.13
PN 16	0.9	0.75	0.7	0.45	0.45	0.35	0.35	0.3	0.26	0.24	0.22	0.21	0.2	0.15	0.14	0.14

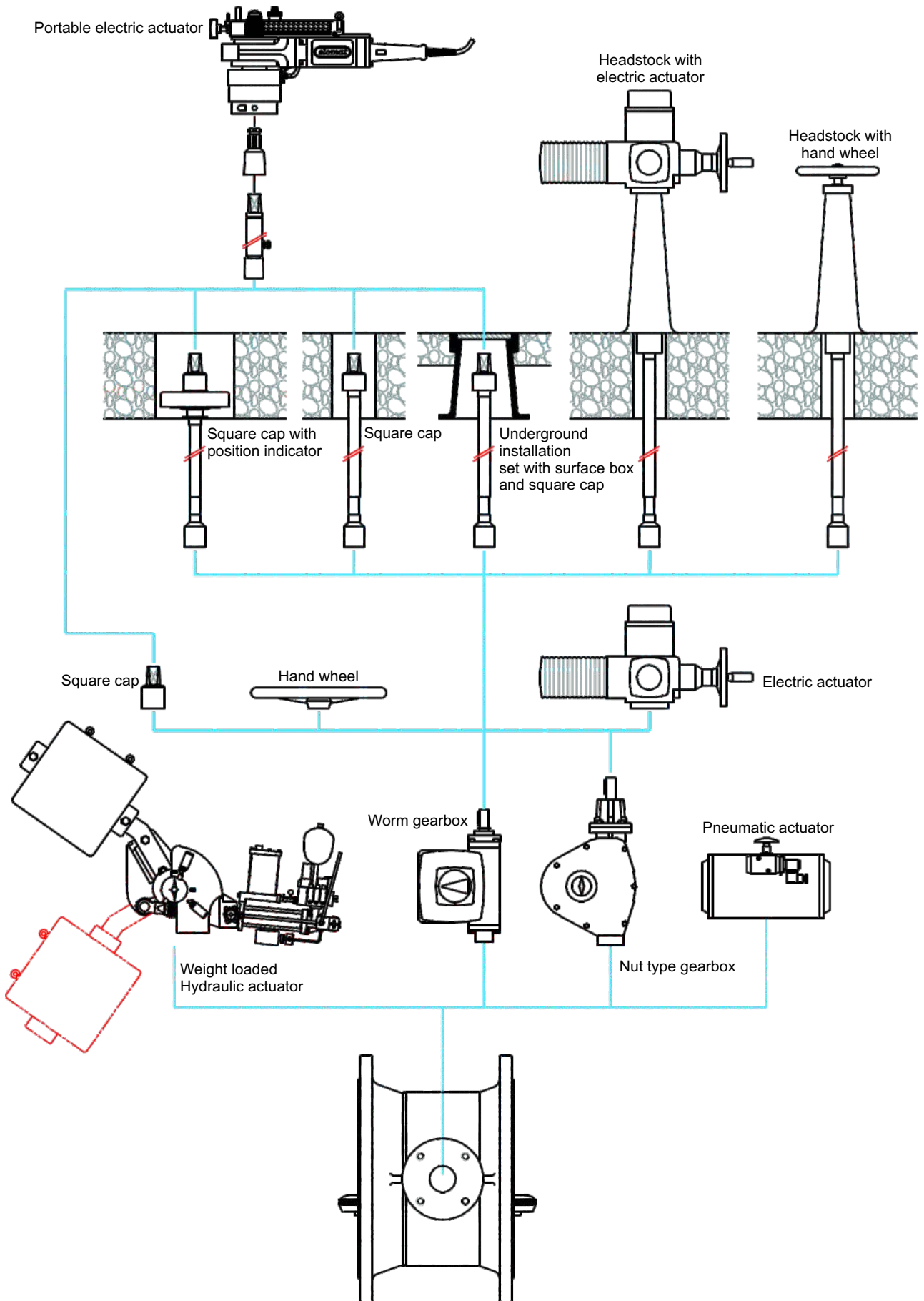


Allowable Linear Speed for AV-Valves Butterfly valves



Important Note:

For selection of valve nominal pressure, please compare linear speed of flow versus working pressure of valve, if working point is below of red curve (red curves show nominal pressure of valve) valve nominal pressure is suitable otherwise valve nominal pressure should be increased.





Installation of valve

- Open the packing and take out the valve, inspect inside of pipe and clean it.
- before installation(or before operating valve) all pipe line should be cleaned and all external parts like welding electrodes , solid particles , woods and ... should removed.
- The legs of the valve are only for suffering the valve's weight not for any other matter.
- Leave sufficient space around the valve for maintenance.
- In case of installation valve in an open area , the climate condition should be considered
- For easy installation of valve & gaskets the distance between flanges of valve and pipeline should be approximately 20mm.
- It is recommended to use standard DIN EN1514 for gaskets.
- The pipe flanges should be parallel and centric.
- The bolts should fasten equality and diagonally.
- When a butterfly valve is installed next to the non return valve, the minimize distance between these two valve should be considered. This distance is for preventing confliction of valve discs when the valve is going to be opened.

Initial start up

- After installation of the valve on the pipeline, valve should open and close easily.
- After final installation, turn on and off for several times, valve function should be the same as before installation (in electrical actuators).
- pipeline should be clean with flushing process to avoid any damage to valve by external particles.

Operation

Inadmissible point:

- Prevent to install valves immediately after any junction, elbows or any disturber parts.
- Prevent to use the valve in middle position (the disc to be half open) during operation.
- Valve must be used in admissible temperature.
- It is inadmissible to use the valve in the pressure higher than nominal pressure.
- In fully closed position, pressure must not be higher than nominal pressure.
- If the material of profile sealing ring is EPDM, it should not contact with oil and greases.

Operation with hand wheel:

If any external particle caught between disc and valve seat , In case of using hand wheel or actuators with high gear reduction ,this action can damage the actuator, **so act as follow:**

During emergency hand wheel operation, if any resistance is detected, the hand wheel should rotate in opposite direction until the particle that caught between disc and sealing ring, go out. Then we can move in previous direction. If it is need, you should repeat flushing operation again.

AB VALVES' PRODUCTS

Butterfly Valves Flange Type (BVF)
Butterfly Valves Wafer Type (BVW)
Butterfly Valves Wafer Type for Sea Water (BVS)
Gate Valves (GV)
Valves for Special Applications
Air Valves (AV)
Hydrants (HT)
Automatic Control Valves (RV)
Non-Return Valves (NV)
Strainers (STR)
Accessories
Actuators



AB VALVES GmbH

**Borsigallee 16
D-60388 Frankfurt am Main
Germany**

**Tel: +49(0)69-941 758-0
Fax: +49(0)69-941 758-33
info@ab-valves.com
www.ab-valves.com**