



AB VALVES GmbH
Strainer





Strainer, Flanged Y– type

Face to Face: according to DIN EN 558-1 series 1(DIN 3202-F1)

Flanges: according to DIN EN 1092-2 (DIN 2501)

Size: DN 50 - 300 mm

Pressure rating: PN10 - 40 bars

Features:

Exchangeable screen made of corrosion and acid resistant steel.

Corrosion protection:

Body and cover interior and outside are coated with electrostatic epoxy powder.

Options:

- Screen material and mesh size as per request.
- Flanges according to ANSI standard.

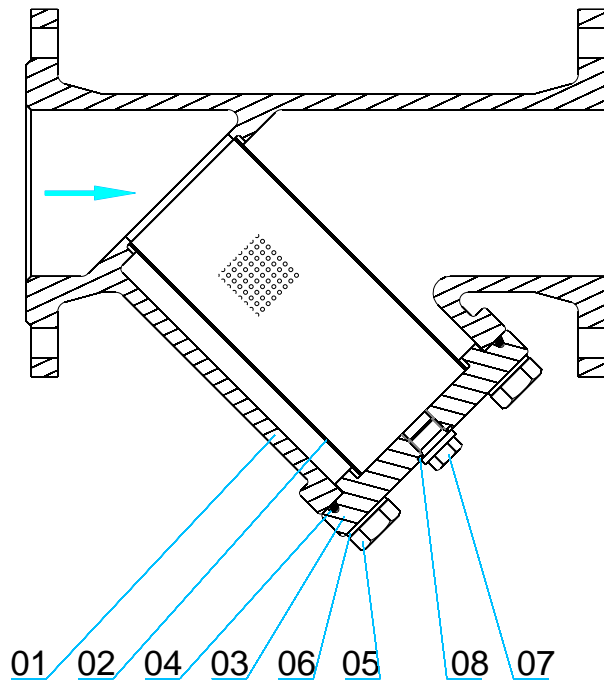
Rating:

PN (bar)	Permissible Working Pressure (bar)	Permissible Working Temperature	Test pressure according to ISO 5208 in bar
			Hydrostatic test body and seat
10	10	40°C	15
16	16	40°C	24
25	25	40°C	37.5





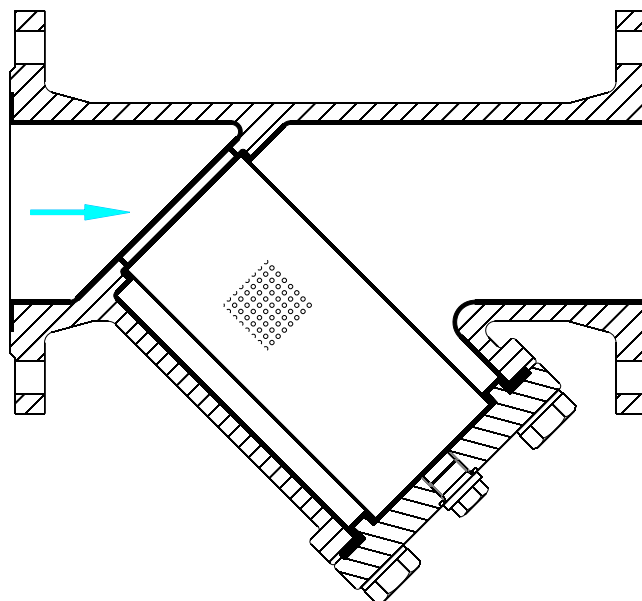
Parts list:



Part	Description	Material	Spare parts
1	Body	EN-GJS-500-7 (1)	
2	Screen	1.4301	●
3	Cover	EN-GJS-500-7 (1)	
4	Seal	NBR	●
5	Hexagonal head screw	A2	●
6	Washer	A2	●
7	Drain screw	A2	
8	Washer	A2	

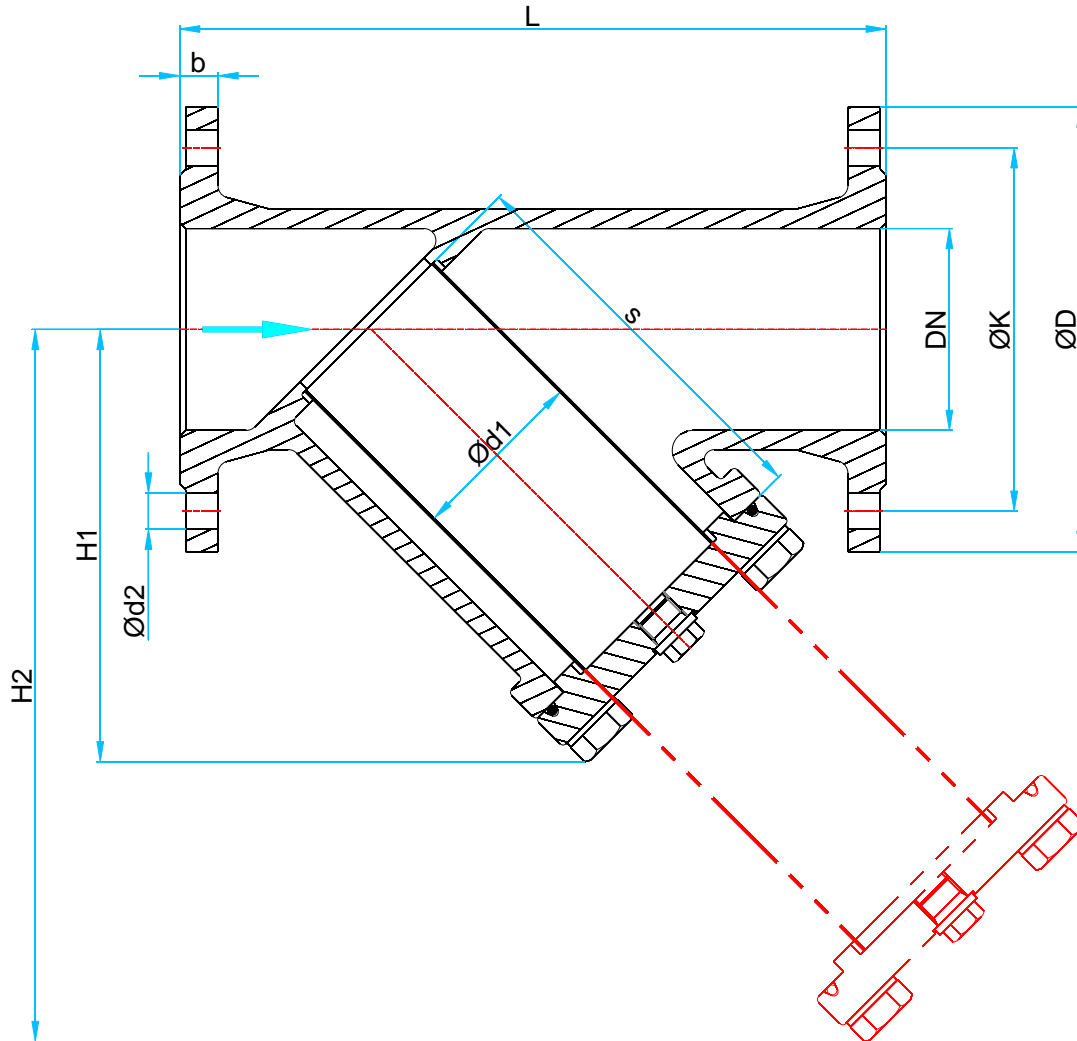
(1) EN-GJS-400-15 can be product as requested.

Seawater strainer type Y with lining





Dimensions and weight:



- DIN EN 1092-2 (DIN 2501)
- DIN EN 558-1 series 1 (DIN 3202-F1)

DN	PN	•L	•OD	•OK	•Od2	•n	•b	H1	H2	S	Od1	Zeta	Kv	screen		Weight
mm	bar	mm	mm	mm	mm	mm	mm	mm	mm	mm	mm	mm	mm	diameter	mesh	Kg
50	10.16	230	165	125	19	4	19	128	215	112	60	3.1	57	1.5	4	9.55
65	10.16	290	185	145	19	4	19	185	315	172	65	3.1	96	1.5	4	15.7
80	10.16	310	200	160	19	8	19	205	355	193	80	3.2	143	1.5	4	21.8
100	10.16	350	220	180	19	8	19	240	415	222	95	3.4	223	1.5	4	31.35
125	10.16	400	250	210	19	8	19	285	475	243	110	3.4	338	1.5	4	44.8
150	10.16	480	285	240	23	8	19	328	548	287	132	3.5	480	1.5	4	63.8
200	10	600	340	295	23	8	20	405	660	332	180	3.5	854	1.5	4	111.9
200	16	600	340	295	23	12	20	405	660	332	180	3.5	854	1.5	4	121
250	10	730	395	350	23	12	22	515	880	510	256	3.5	1334	1.5	4	171
250	16	730	405	350	28	12	22	515	880	510	256	3.5	1334	1.5	4	171
300	10	850	445	400	23	12	24.5	610	1100	620	308	3.6	1895	1.5	4	250
300	16	850	460	410	28	12	24.5	610	1100	620	308	3.6	1895	1.5	4	250

Data for pressures 25 and 40 bars on request.



Strainer T-type - Fabricated

Face to face: according to Din EN 558-1 series 48 (DIN 3202-F6)

Flanges: according to DIN EN 1092-2 (DIN 2501)

Size: DN 300 - 1600 mm

Pressure rating: PN 10 - 40 bars

Feature:

Exchangeable screen made of corrosion and acid resistant steel. Flanges are raised face according to standard DIN 2526 type C. This type of strainer is produced by welding process. Provided with a drain screw at the bottom and a air release screw on the cover.

Corrosion protection:

Body and cover interior and outside are coated with electrostatic epoxy powder.

Option:

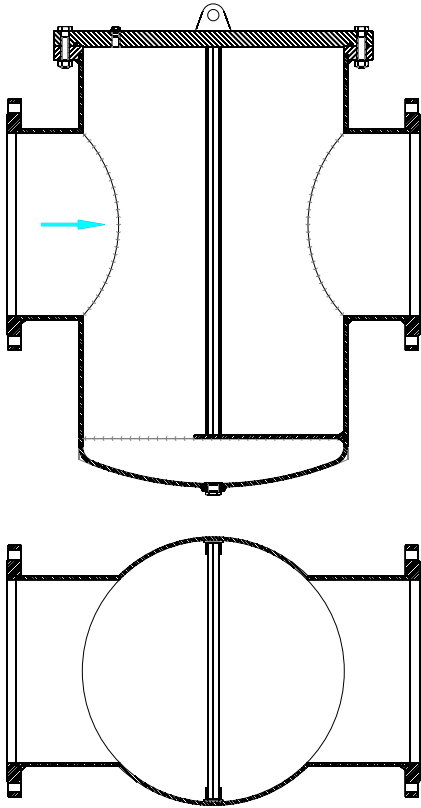
- Screen material and mesh size as per request.
- Flanges according to ANSI standard
- Delivery without flange for direct welding to the pipes

PN (bar)	Permissible Working Pressure (bar)	Permissible Working Temperature	Test pressure according to ISO 5208 in bar
			Hydrostatic test body and seat
10	10	40°C	15
16	16	40°C	24
25	25	40°C	37.5

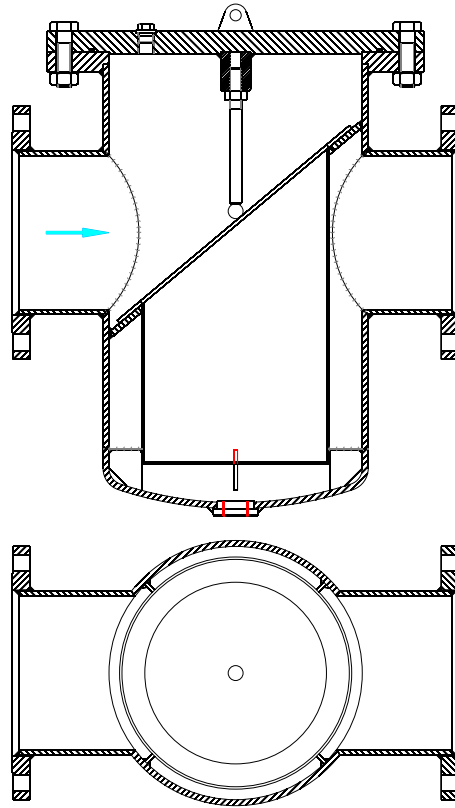




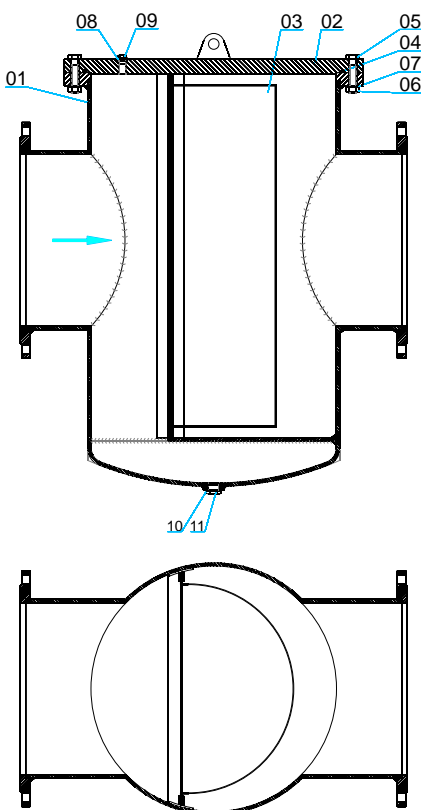
With flat screen:



With cylindrical screen:



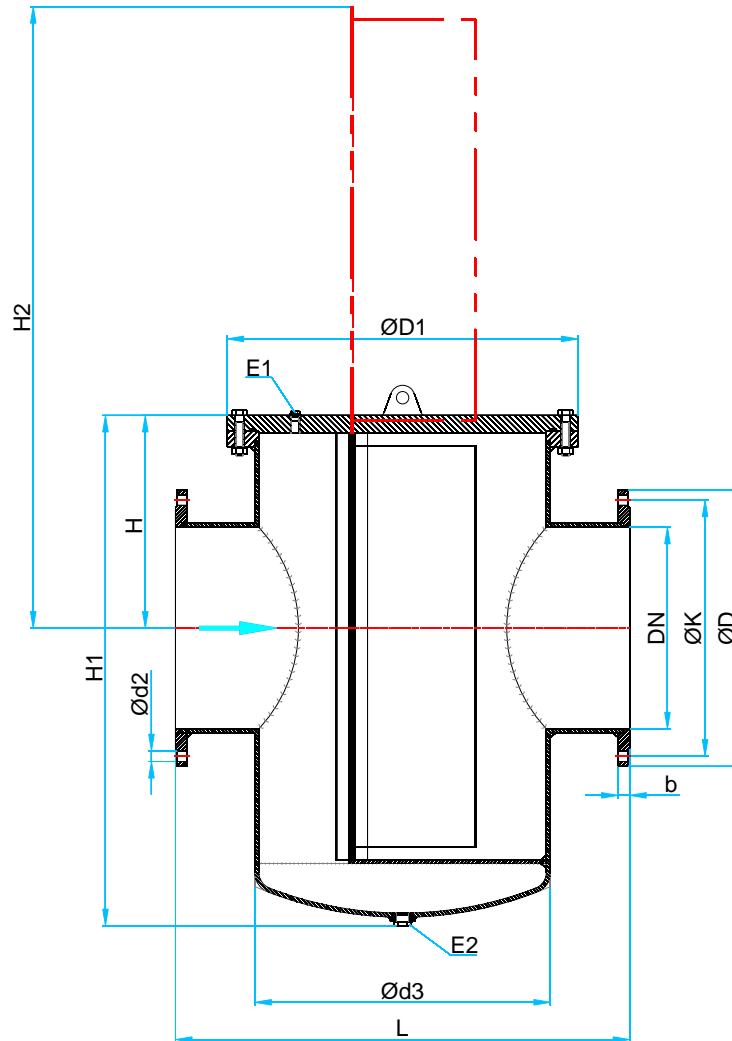
With curved screen:



Part	Description	Material	Spare part
1	Body	St. 37-2	
2	Cover	St. 37-2	
3	Screen	1.4501	●
4	Seal	NBR	●
5	Hex. head screw	A2	●
6	Nut	A2	
7	Washer	A2	●
8	Washer	Cu	
9	Air release screw	A2	
10	Washer	Cu	
11	Drain screw	A2	



Dimensions and weight:



- DIN EN 1092-1 (DIN 2501)
- DIN EN 558-1 series 48 (DIN 3202-F6)

DN	PN	•L	•OD	•OK	•Od2	•n	•b	OD1	Od3	H	H1	H2	E1	E2	screen		Zeta	Kv	Wgt.
mm	bar	mm	mm	mm	mm		mm	mm	mm	mm	mm	mm	in	in	diameter	mesh		m ³ /h	Kg
350	10	800	505	460	22	16	26	620	508	410	915	1150	G 1	G 1 1	4	10	3.6	2655	340
	16		520	470	26		30	630		420	930	1170	G 1	G 1 1					
400	10	900	565	515	26	16	26	720	610	425	905	1200	G 1	G 1 1	4	10	3.5	3417	360
	16		580	525	30		32	730		440	920	1250	G 1	G 1 1					
500	10	1100	670	620	26	20	28	810	700	515	1225	1550	G 1	G 1 1	4	10	3.5	5338	690
	16		715	650	33		34	820		525	1235	1550	G 1	G 1 1					
600	10	1300	780	725	30	20	28	930	800	640	1490	1900	G ¾	G 1 1	4	10	3.2	8040	960
	16		840	770	36		36	930		650	1510	1900	G ¾	G 1 1					
700	10	1500	895	840	30	24	30	1050	930	700	1500	2100	G ¾	G 1 1	4	10	-	-	-
	16		910	840	36		36	1050		700	1500	2100	G ¾	G 1 1					
800	10	1700	1015	950	33	24	32	1050	1060	775	1700	2300	G ¾	G 1 1	4	10	-	-	-
	16		1025	950	39		38	1050		775	1700	2300	G ¾	G 1 1					

Data for pressures 25 and 40 bars on request.

We reserve the right to make any technical modification.
We are not responsible for any error in printing.



AB VALVES GmbH

Borsigallee 16
D-60388 Frankfurt am Main
Germany

Tel: +49(0)69 - 941 758-0
Fax: +49(0)69 - 941 758-33
info@ab-valves.com
www.ab-valves.com