



AB VALVES GmbH

AB Flanged Gate Valve

Soft Sealing

DIN 3352 , Part 4





AB-Gate Valves soft sealing

Design feature:

Valve: DIN 3352 – Part 4 standard

Flanges: DIN EN 1092 – 2 (DIN 2501)

Face to face: DIN EN 558 – 1 series 14/15 (DIN 3202 – F4 & F5)

Size: DN 50 – DN 300

Pressure: PN 10 – PN 25

Surface Protection:

Completely coated by electrostatic epoxy powder coating.

Rang of application:

The Gate valves soft sealing may be used for liquid and gaseous media of up to 70°C such as drinking water and untreated water, compressed air and all kinds of gasses as per Certificate DVGW-G260. Other media on request.

Nom. Diameter DN (mm)	Water test pressure	
	Body	Leak tight
10	15.0	11.0
16	24.0	17.6
25	37.5	27.5

Pressure drop coefficient when the valve is fully open.

DN	50	65	80	100	125	150	200	250	300
K	0.19	0.185	0.18	0.17	0.15	0.13	0.12	0.1	0.09

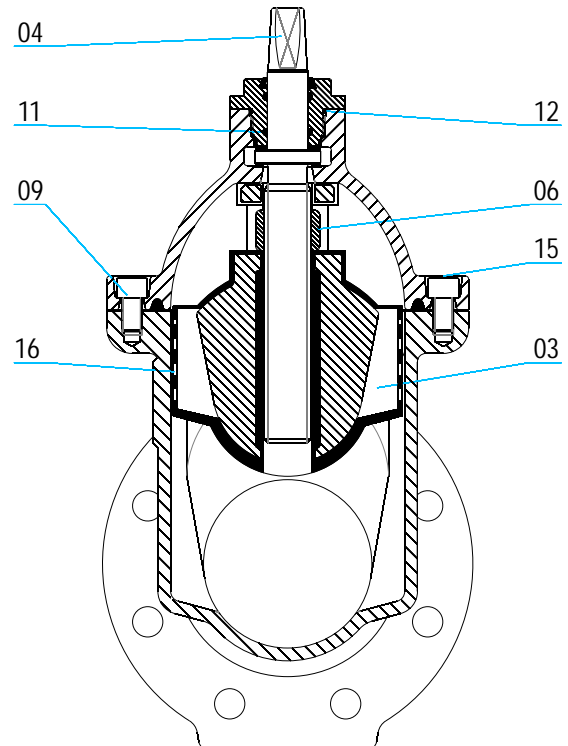
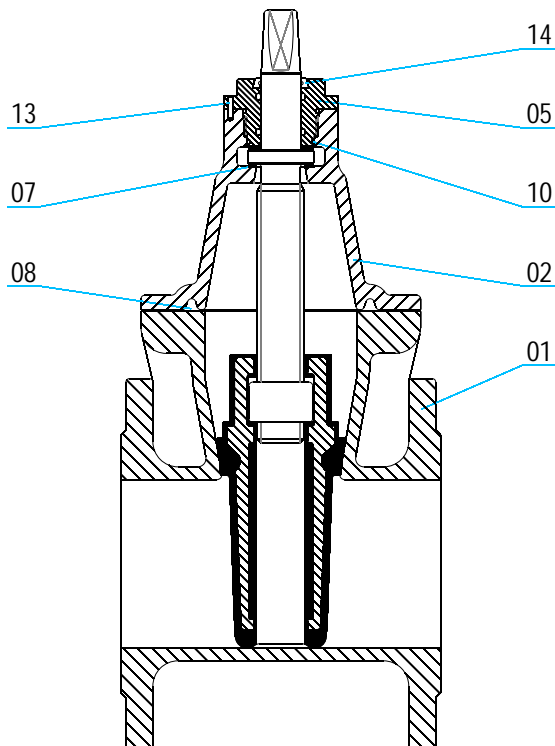


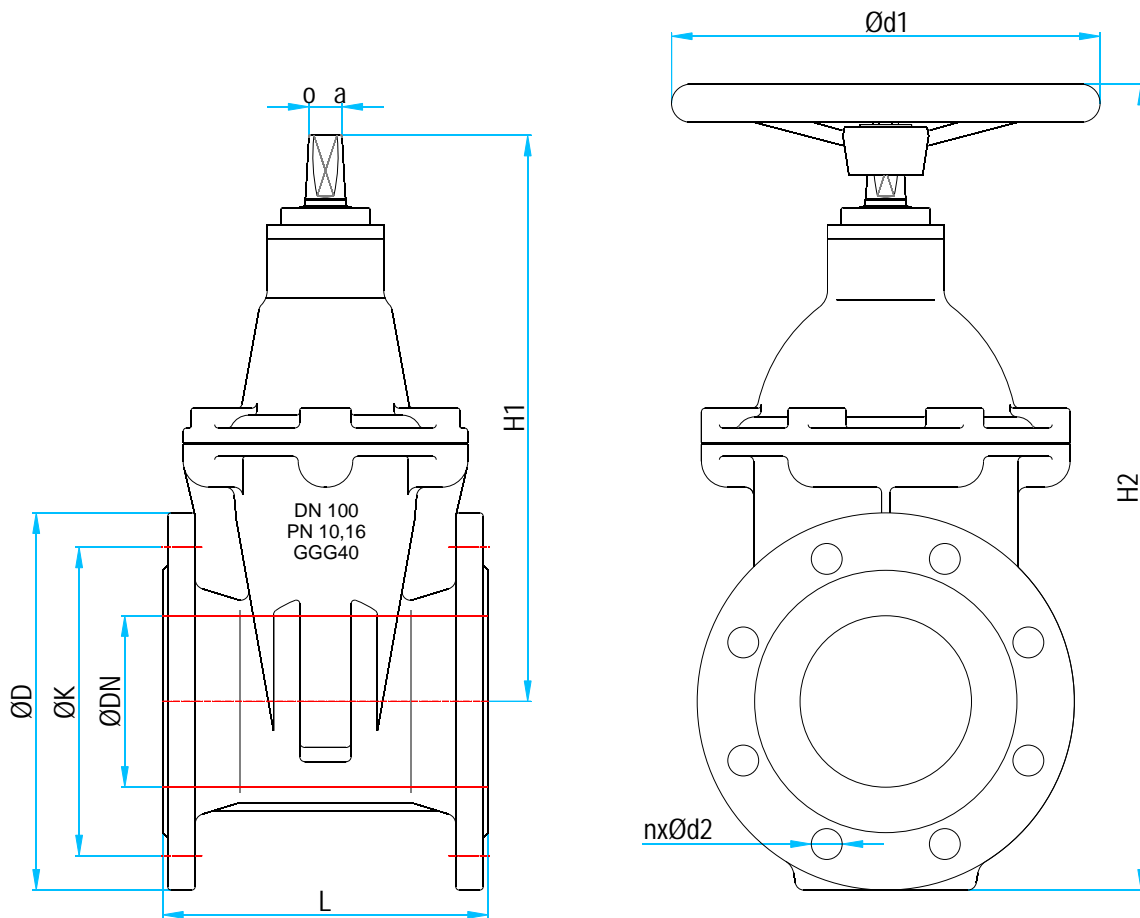


By turning the stem clockwise, with the elastic design of the wedge (soft sealing), the sealing wedge gives absolute tightness with minimum torque.

Part	Description	Material	spare parts
1	Body	EN-GJS-500-7 (1)	
2	Bonnet	EN-GJS-500-7 (1)	
3	Wedge	EN-GJS-500-7 fully covered with NBR or EPDM	●
4	Stem	1.4021 rolled thread	●
5	Lock nut (2)	EN-GJS-500-7	●
6	Stem nut	2.0540 (Cu Zn 35 Ni P 45)	●
7	Slid ring	POM	
8	O-Ring	NBR	●
9	hexagonal socket head screw	A2	
10	O - Ring	NBR	●
11	O - Ring	NBR	●
12	O - Ring	NBR	●
13	Pin	Steel DIN 7	
14	Wiper	NBR	●
15	Primer	Perbunan extra	
16	Wedge guide	PTFE	

(1) EN-GJS-400-15 can be product as requested.
 (2) Lock nut material Cu Zn 35 Ni P 45 on request.



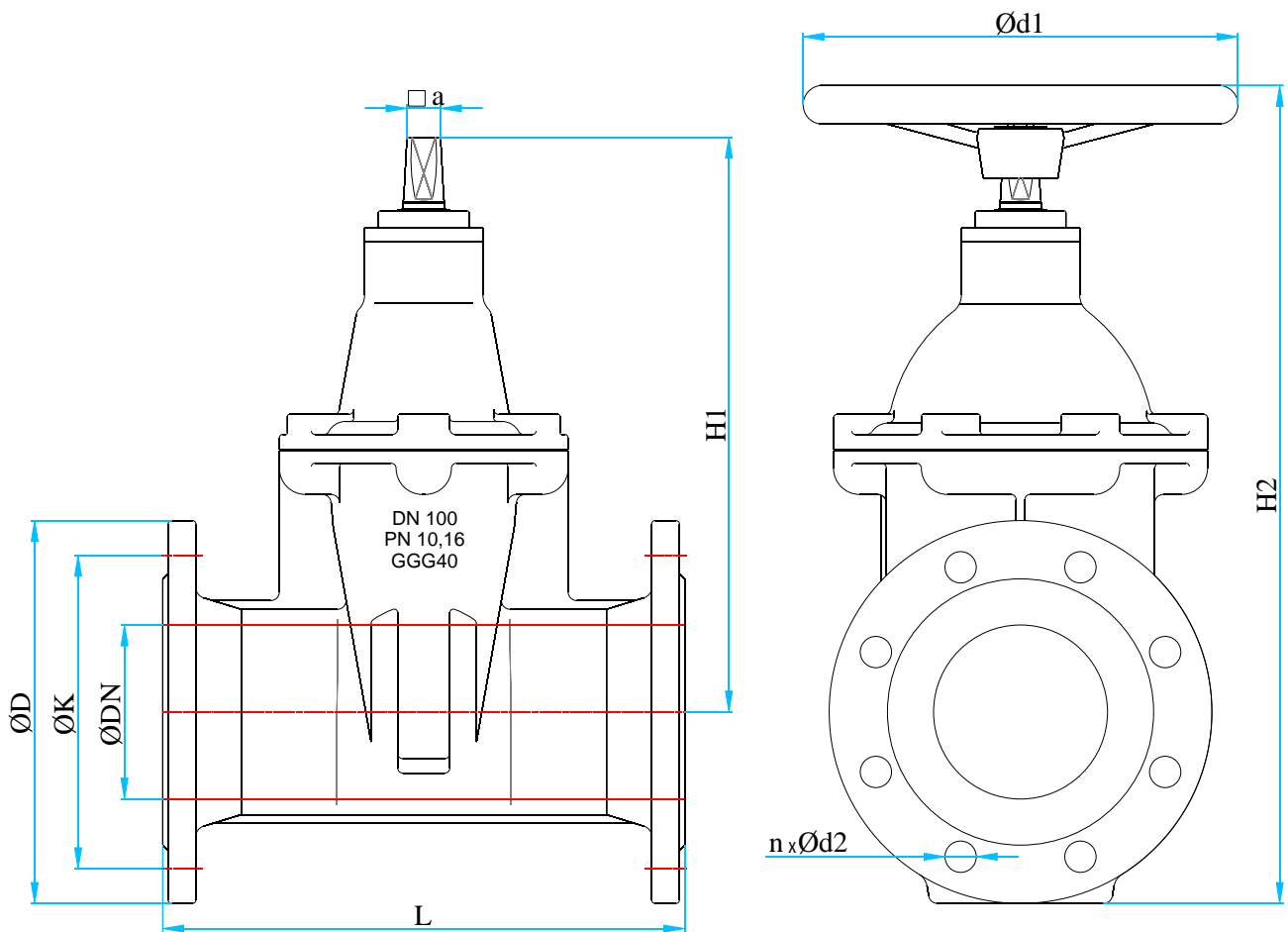


Gate Valves DIN 3352, part 4 (F4)

DN (mm)	PN (bar)	•L (mm)	H1 (mm)	H2 (mm)	•D (mm)	•K (mm)	•n	•d2 (mm)	a (mm)	(Kg)
50	10 / 16	150	230	322	165	125	4	19	14	11.5
65	10 / 16	170	267	370	185	145	4	19	17	15.5
80	10 / 16	180	290	400	200	160	8	19	17	17
100	10 / 16	190	330	470	220	180	8	19	19	22
125	10 / 16	200	385	536	250	210	8	19	19	31.5
150	10 / 16	210	418	592	285	240	8	23	19	38.5
200	10	230	522	722	340	295	8	23	24	60
200	16	230	522	722	340	295	12	23	24	60
250	10	250	651	887	400	350	12	23	27	105
250	16	250	651	887	400	355	12	28	27	105
300	10	270	723	964	455	400	12	23	27	152
300	16	270	723	964	455	410	12	28	27	152

•DIN EN 1092/2 (DIN 2501)

•DIN EN 558-1 series 14 (DIN 3202 F4)

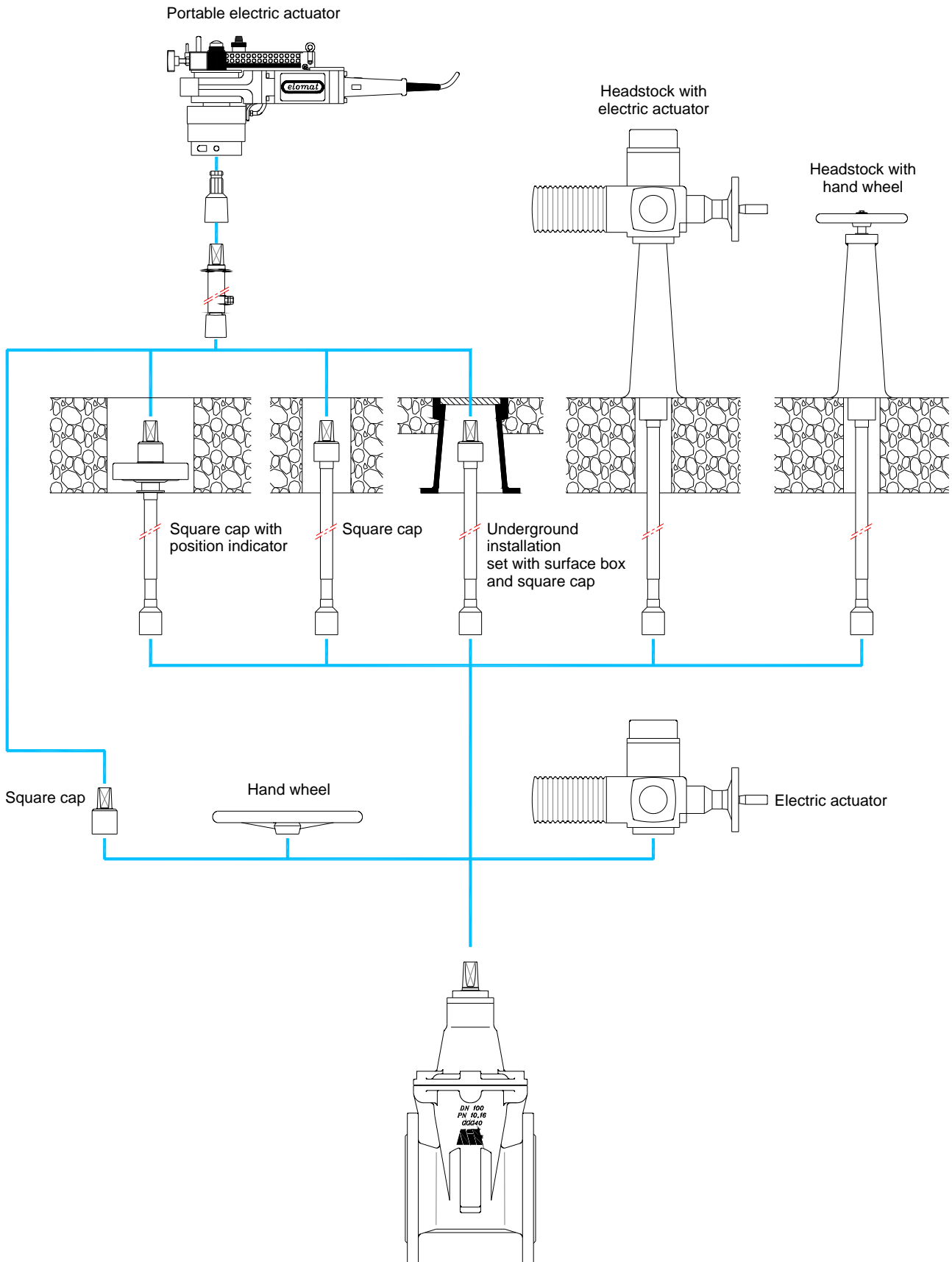


Gate Valves DIN 3352, part 4 (F5)

DN (mm)	PN (bar)	•L (mm)	H1 (mm)	H2 (mm)	•D (mm)	•K (mm)	•n	•d2 (mm)	a (mm)	(Kg)
50	10 / 16	250	230	322	165	125	4	19	14	13
65	10 / 16	270	267	370	185	145	4	19	17	17
80	10 / 16	280	290	400	200	160	8	19	17	19
100	10 / 16	300	330	470	220	180	8	19	19	24
125	10 / 16	325	385	536	250	210	8	19	19	35
150	10 / 16	350	418	592	285	240	8	23	19	43
200	10	400	522	722	340	295	8	23	24	70
200	16	400	522	722	340	295	12	23	24	70
250	10	450	651	887	400	350	12	23	27	125
250	16	450	651	887	400	355	12	28	27	125
300	10	500	723	964	455	400	12	23	27	170
300	16	500	723	964	455	410	12	28	27	170

• DIN EN 1092/2 (DIN 2501)

• DIN EN 558-1 series 15 (DIN 3202 F5)





AB VALVES GmbH

Borsigallee 16

D-60388 Frankfurt am Main

Germany

Tel: +49(0)69 - 941 758-0

Fax: +49(0)69 - 941 758-33

info@ab-valves.com

www.ab-valves.com