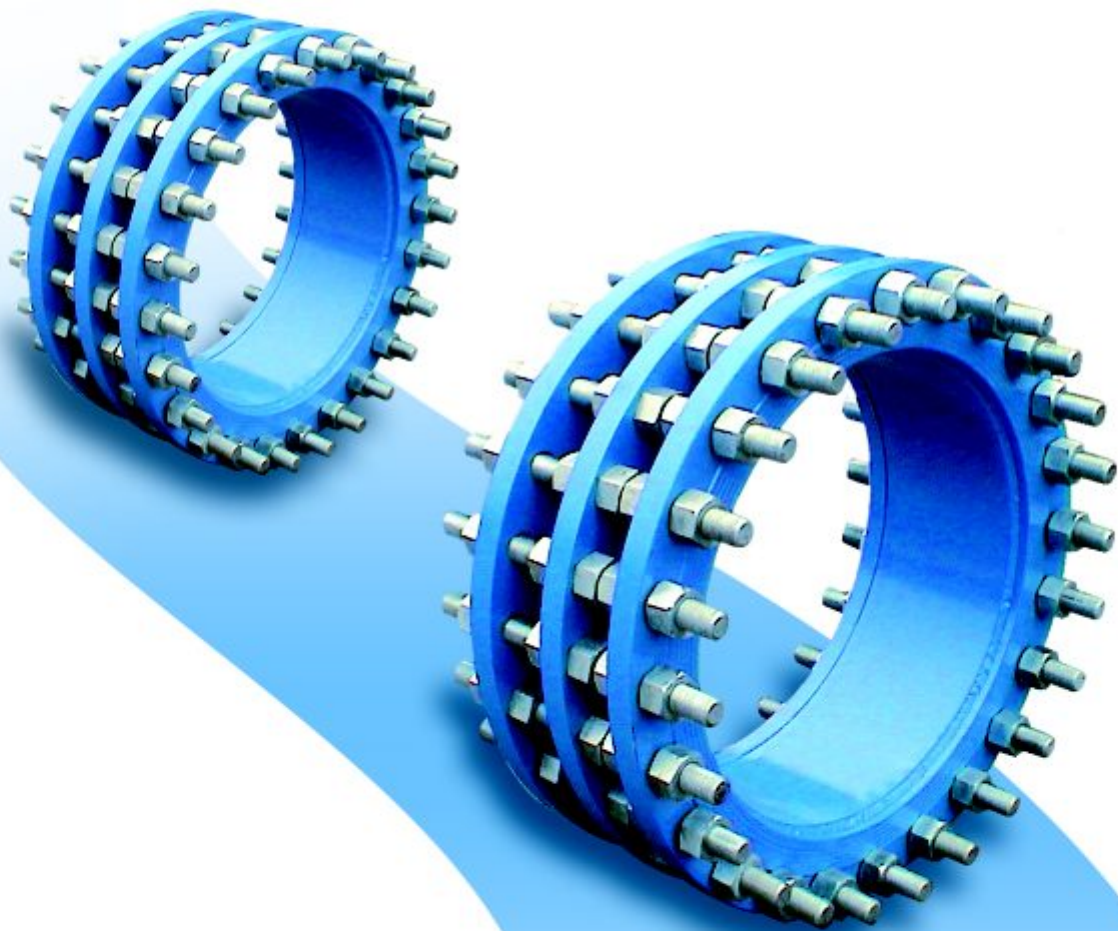




AB VALVES GmbH
Dismantling Joints



Dismantling Joints

Flanges according to DIN 1092-2 (DIN 2501)

Size: DN 100 - DN 1600 mm

Pressure rating: PN 6 - PN 40 bars

Features:

By using these joints, valves could easily be installed, removed/dismantled from the pipeline. By turning the bolts the length of the dismantling Joints can be reduced allowing enough space for removing the valve and sealing washers from the pipeline. For installing the valves and sealing washers, the length of dismantling joints can be adjusted by the adjusting bolts and therefore fastening the valve tightly to the pipe flanges.

Coating:

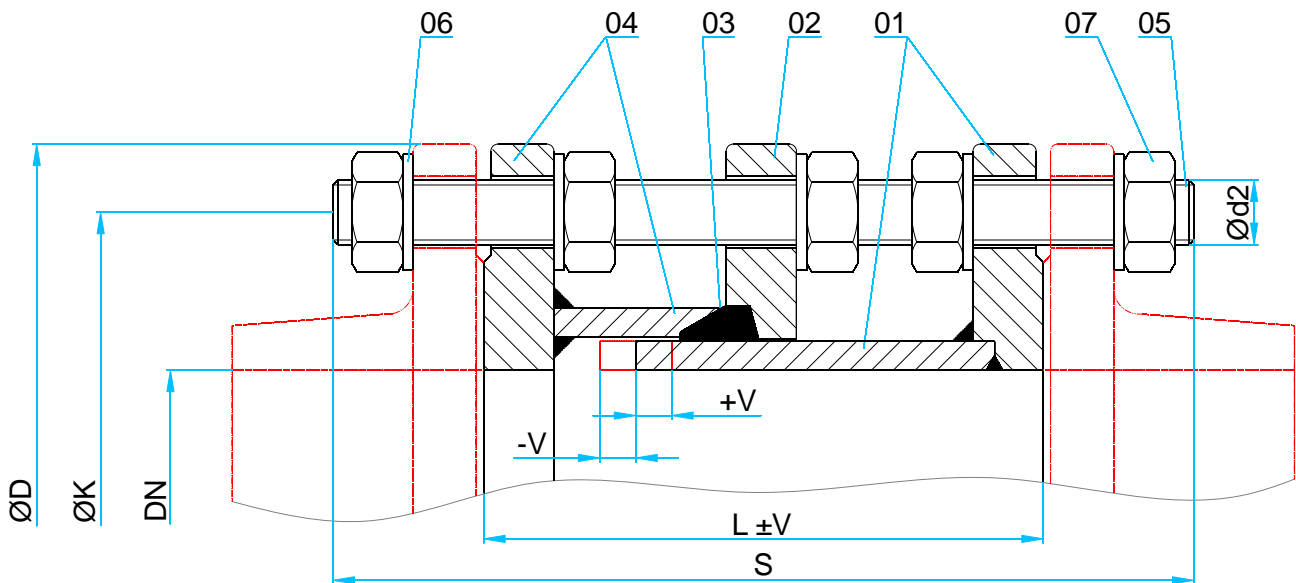
All parts are coated with electrostatic epoxy powder.

Range of application:

For media with minimum temperature of 50°C (for other temperatures as per request).

Advantages:

- Reliable design
- Low space requirement
- Compensates pipe length error
- Discharges radial and axial forces to the valve



Part No.	Part name	Material	Spare Part
1	Inner pipe & flange	St 37-2	
2	Middle flange	St 37-2	
3	Seal	NBR	●
4	Outer pipe & flange	St 37-2	
5	Stud	Galvanized Steel	●
6	Washer	Galvanized Steel	●
7	Nut	Galvanized Steel	●

Dimensions and weight of dismantling joints

	DN mm	Ø D mm	Ø K mm	Ø d2 mm	n	L mm	S mm	V mm	Wgt. kg
PN 06	1000	1175	1120	M27	28	290	480	±25	415
	1200	1405	1340	M30	32	320	520	±25	605
	1400	1630	1560	M33	36	360	560	±25	905
	1600	1830	1760	M33	40	390	600	±25	1280
PN 10	100	220	180	M16	8	200	310	±25	21
	125	250	210	M16	8	200	310	±25	26
	150	285	240	M20	8	200	320	±25	35
	200	340	295	M20	8	220	340	±25	49
	250	395	350	M20	12	220	360	±25	64
	300	445	400	M20	12	220	360	±25	73
	350	505	460	M20	16	230	360	±25	96
	400	565	515	M24	16	230	370	±25	124
	500	670	620	M24	20	260	390	±25	160
	600	780	725	M27	20	260	410	±25	207
	700	895	840	M27	24	260	410	±25	259
	800	1015	950	M30	24	290	460	±25	354
	900	1115	1050	M30	28	290	460	±25	407
	1000	1230	1160	M33	28	290	480	±25	488
1200	1455	1380	M36	32	320	520	±25	748	
1400	1675	1590	M39	36	360	560	±25	1037	
1600	1915	1820	M45	40	390	600	±25	1575	
PN 16	100	220	180	M16	8	200	310	±25	21
	125	250	210	M16	8	200	310	±25	26
	150	285	240	M20	8	200	320	±25	35
	200	340	295	M20	12	220	340	±25	52
	250	405	355	M24	12	230	370	±25	76
	300	460	410	M24	12	250	410	±25	93
	350	520	470	M24	16	260	410	±25	129
	400	580	525	M27	16	270	430	±25	164
	500	715	650	M30	20	280	440	±25	243
	600	840	770	M33	20	300	480	±25	332
	700	910	840	M33	24	300	480	±25	368
	800	1025	950	M36	24	320	520	±25	480
	900	1125	1050	M36	28	320	520	±25	548
	1000	1255	1170	M39	28	340	560	±25	719
1200	1485	1390	M45	32	360	600	±25	1110	
1400	1685	1590	M45	36	415	690	±25	1350	
1600	1930	1820	M52	40	445	730	±25	2100	
PN 25	100	235	190	M20	8	200	340	±25	32
	125	270	220	M24	8	200	370	±25	43
	150	300	250	M24	8	200	370	±25	52
	200	360	310	M24	12	220	370	±25	76
	250	425	370	M27	12	230	410	±25	103
	300	485	430	M27	16	250	410	±25	134
	350	555	490	M30	16	260	440	±25	196
	400	620	550	M33	16	270	480	±25	248
	500	730	660	M33	20	300	480	±25	327
	600	845	770	M36	20	320	520	±25	436
	700	960	875	M39	24	340	530	±25	573
	800	1085	990	M45	24	360	600	±25	800
	900	1185	1090	M45	28	380	600	±25	888
	1000	1320	1210	M52	28	400	650	±25	1272
1200	1530	1420	M52	32	450	720	±25	1870	
1400	1755	1640	M56	36	490	830	±25	2440	
1600	1975	1860	M56	40	510	860	±25	3080	

larger sizes and pressures over 40 bars as per request.



AB VALVES GmbH

Borsigallee 16
D-60388 Frankfurt am Main
Germany

Tel: +49(0)69 - 941 758-0
Fax: +49(0)69 - 941 758-33
info@ab-valves.com
www.ab-valves.com